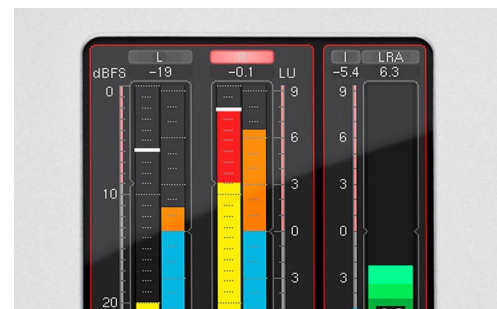


Data Sheet

TouchMonitor TM3 Smart



TouchMonitor TM3 Smart



Flexible touch screen layout ▪ **Loudness: EBU, ITU, ATSC, ARIB, OP-59, AGCOM, CALM** ▪ **LRA** ▪ **PPM/True Peak SPL** ▪ **Stereo/6-channel operation** ▪ **Dialnorm** ▪ **Audio: Analog, S/PDIF, AES3** ▪ **Moving Coil** ▪ **Timecode** ▪ **Chart**

TouchMonitor TM3 Smart (TM3S) is an exceptionally budget-friendly metering solution for applications including editorial working environments, edit suites and smaller control rooms, to name but a few. It consists of a display unit with 4.3" touch screen that can be used either vertically or horizontally and a separate interface box.

TM3S features PPM and true peak measurements as well as comprehensive loudness measurement functions such as single-channel and summing bargraphs, loudness range, loudness chart, and numerical displays that conform to all relevant global standards (EBU R128, ITU BS.1770-4/1771-1, ATSC A/85, ARIB, OP-59, AGCOM, and CALM).

The straightforward user interface allows for quick and simple preset selection. Presets can be configured in detail using the Devicer DC1 software for Mac OS X® or Windows®. The Devicer's GUI lets you select, configure and position the instruments you need in a convenient way. The screen layout can be previewed at any time to see how your preset will look like on the TM3 Smart.

The TM3 Smart works with analog or digital stereo signals and processes six digital input channels in parallel. Stereo signals can also be displayed on needle instruments (Moving Coil).

TM3. Loudness Simplified.

Hardware

TM3 Smart (TM3S)

- 6-channel version for Peak, TruePeak, correlation and Loudness measurements, equipped with all licences
- Table-top unit with display unit and remote interface box (cable length 2 m), with mains adapter
- 4.3" touch screen (272 x 480 pixel)
- Loudness metering acc. to EBU R128, ITU-R BS.1770-4/1771-1, ATSC A/85, ARIB, OP-59, AGCOM, CALM, or customer specific
- Loudness Test Time Control, Loudness Chart
- Loudness Range (LRA) and SPL display
- Dialnorm measurement
- Timecode Reader
- Moving Coil
- Analog stereo input via RCA (unbalanced, with potentiometer adjustable in the range from 150 mV to 30 V) **or** via 25 pin Sub-D (balanced, +4/+6 dBu, with software adjustable in the range from 0 to +10 dBu)
- Digital Stereo in- and output via RCA (S/PDIF)
- Three digital Stereo in- and output via RCA (S/PDIF) or via 25 pin Sub-D (balanced, 3 x AES3)
- USB 2.0, GPIO, 24 V DC connectors
- Comprehensive set of presets, easy recall
- Personalizing with **Devicer DC1** (Device Configurator software for Windows® and Mac OS X®)



Additional Hardware Options

TM3-2U (option for 2U rack mounting)

Option for mounting TM3S units into rack frame TM3-MA2U or into other appropriate mechanical environments. It can only be ordered together with a TM3S devices. Then, a display with mounting frame, mounting material, and an USB extension cable is part of delivery.

TM3-MA2U (2U rack carrier for TM3S with TM3-2U)

19"/2U rack carrier/mounting frame to be fitted with up to two TM3 series units which must feature the TM3-2U option.

Software

Smart Software Package

With the integrated Smart software package, TM3 Smart (TM3S) is fully equipped. It provides the wide range of RTW's approved loudness and audio metering tools to meet the demands of a wide variety of applications. Beside the signal processing and the control functions this software includes the following instruments and functions:



PPM and TruePeak meter for up to 6 channels with comprehensive set of analog and digital scales, Peak Hold, Peak Memory, Over indicator, numerical display, additional Loudness bargraphs switchable. Additional control keys for positioning on the display.



2-channel stereo needle instruments with PPM display (British), VU display, Loudness display, and combined PPM and Loudness display (BBC mode). Additional control keys for positioning on the display.



Loudness Sum instrument for displaying the summed loudness values M, S, and I of a loudness measurement acc. to EBU R128, ITU BS.1770-4/1771-1, ARIB, ATSC A/85, OP-59, AGCOM, CALM Act or customer specific on bargraphs, or an SPL meter. Additional control keys for positioning on the display.



Loudness Numeric instrument for the numerical display of all relevant values of a Loudness measurement: M, S, I, LRA, TPmax, Mmax, Smax, I-time. Additional control keys for positioning on the display.



Loudness Range instrument with MagicLRA mode for a graphical representation of loudness variances with additional display of the I value. Adjustable ranges with different colors. Additional control keys for positioning on the display.



Loudness Chart instrument for displaying and analyzing the course over time of one selectable value of a loudness measurement directly on the display. Additional control keys for positioning on the display.



The Dialnorm instrument is used to calculate and to show numerical Dialnorm values (w/o speech intelligence) from digital surround signals. Additional control keys for positioning on the display.



Stereo Correlator for displaying the phase relationship between the two channels of a stereo signal and thus its mono compatibility. Additional control keys for positioning on the display.



Smart Software Package (continued)



The Timecode Reader instrument is used to decode and to display an LTC timecode of an external analog or digital source for the use with Loudness applications.



AES Status monitor for displaying various parameters of AES3 digital audio signals in plain text. Additional control keys for positioning on the display.



Global Keyboard with definable on-screen keys for simultaneous control of defined functions in multiple instruments, and for preset recall. It also allows external control vial GP IO interface.

Upcoming instruments and functions can be added via firmware update, which will be available from the download area of our website (<https://www.rtw.com/en/support/manuals-software-downloads.html>). Read the **Specifications** section to learn more about the listed instruments.

Devicer DC1

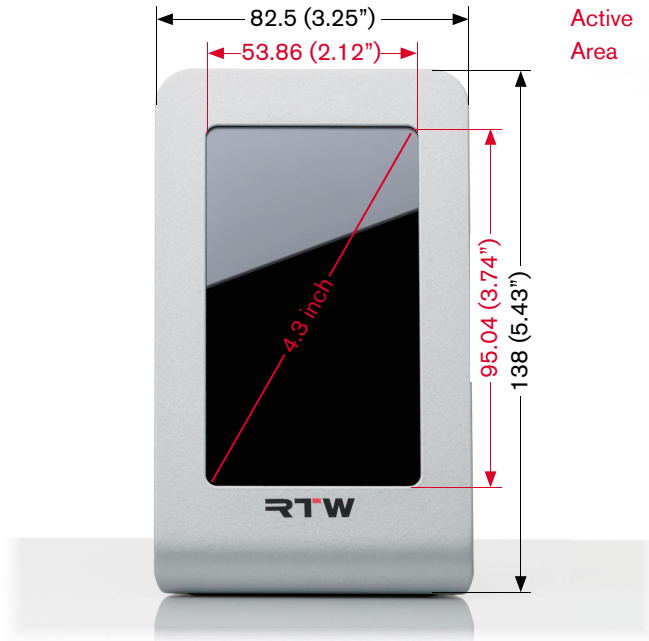
By default, the TM3S's preset memories contain comprehensive sets of factory presets covering many common applications. The Devicer DC1 used to personalize the presets is available free of charge from the download area of the RTW web site (<https://www.rtw.com/en/support/manuals-software-downloads.html>). The Devicer's GUI lets you select, configure and position the instruments you need in a convenient way. The screen layout can be previewed at any time to see how your preset will look like on the TM3 Smart (TM3S). After having installed this Device Configurator software on your Mac OS X® (10.6. to 10.9.) or Windows® (7/8) computer, the TM3S is connected to it using an USB cable (Mini-B / A). After all edits are performed and saved in the Devicer DC1, the respective presets can be uploaded to the TM3S.



Windows is either registered trademark or trademark of Microsoft Corporation in the United States and/or other countries.
Mac OS is trademark of Apple Inc., registered in the U. S. and other countries.

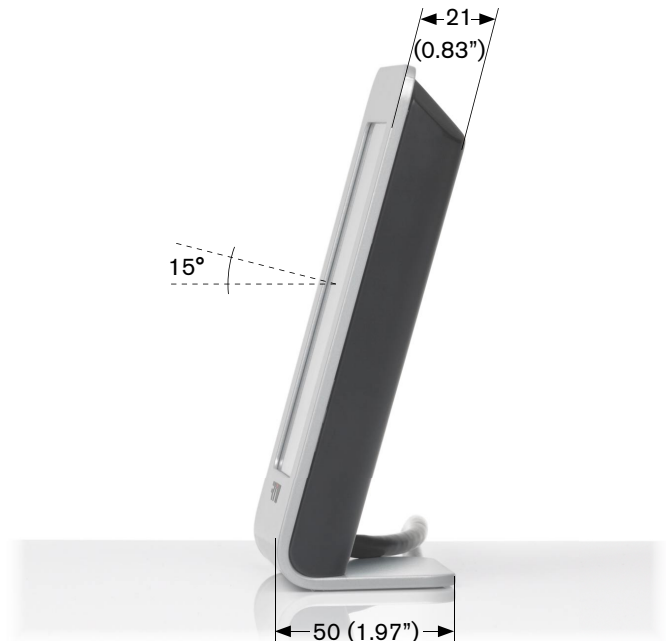
Dimensions

Display Unit TouchMonitor TM3 Smart



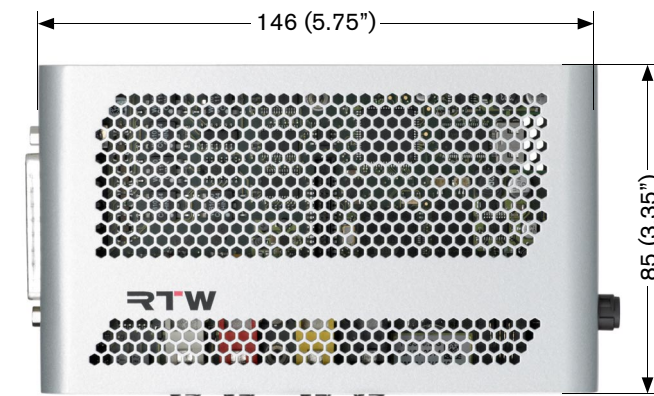
1 | Front view

Active Area

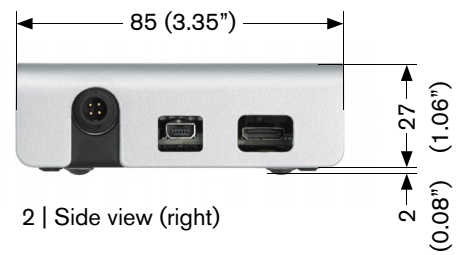


2 | Side view

Interface Box TouchMonitor TM3 Smart

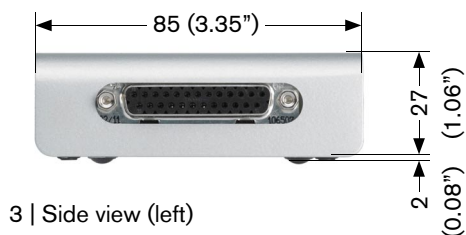


1 | Top view



2 | Side view (right)

Dimensions in mm (inch ["])
Common tolerance: $\pm 0,5$ mm (± 0.02 ")



3 | Side view (left)

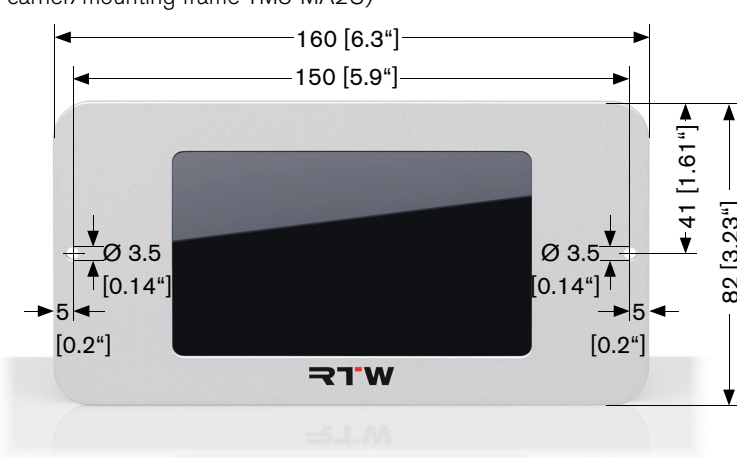


4 | Rear view

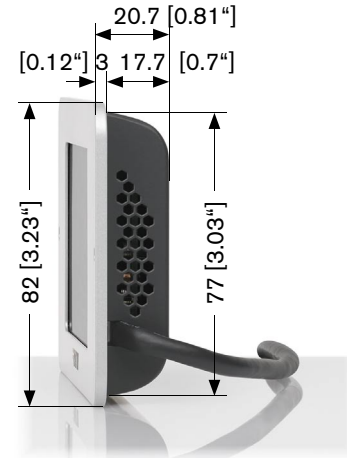
Dimensions (continued)

Option TM3-2U

(can only be ordered together with a TM3S – allows mounting into front panels/mounting plates or into optional 19"/2U rack carrier/mounting frame TM3-MA2U)



1 | Front view

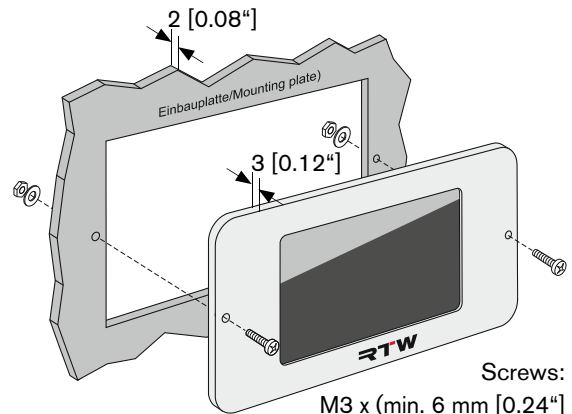


2 | Side view

Dimensions in mm [inch"]
Common tolerance: $\pm 0,5$ mm [± 0.02 "]

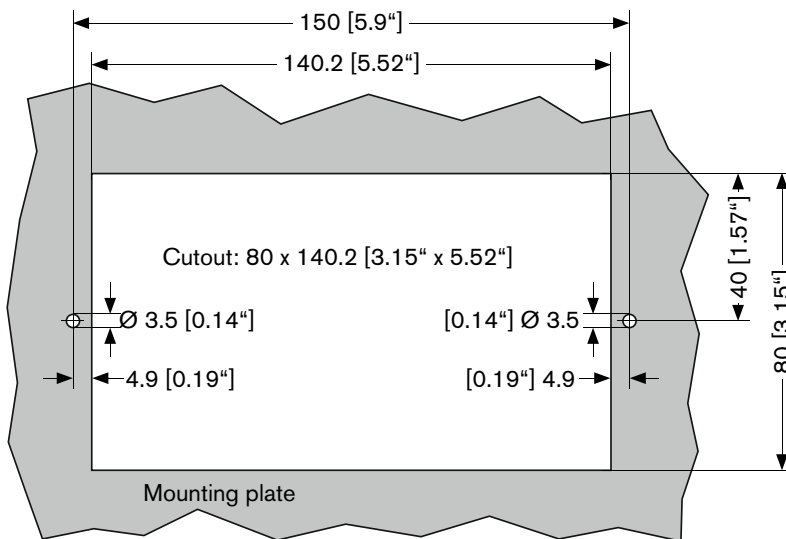


3 | Rear view



Screws:
M3 x (min. 6 mm [0.24"]
+ thickness of mounting plate)

5 | Mounting



4 | Cutout of mounting plate



For adequate ventilation of the device after mounting, the mounting plate should have a maximum thickness of 2 mm [0.08"]

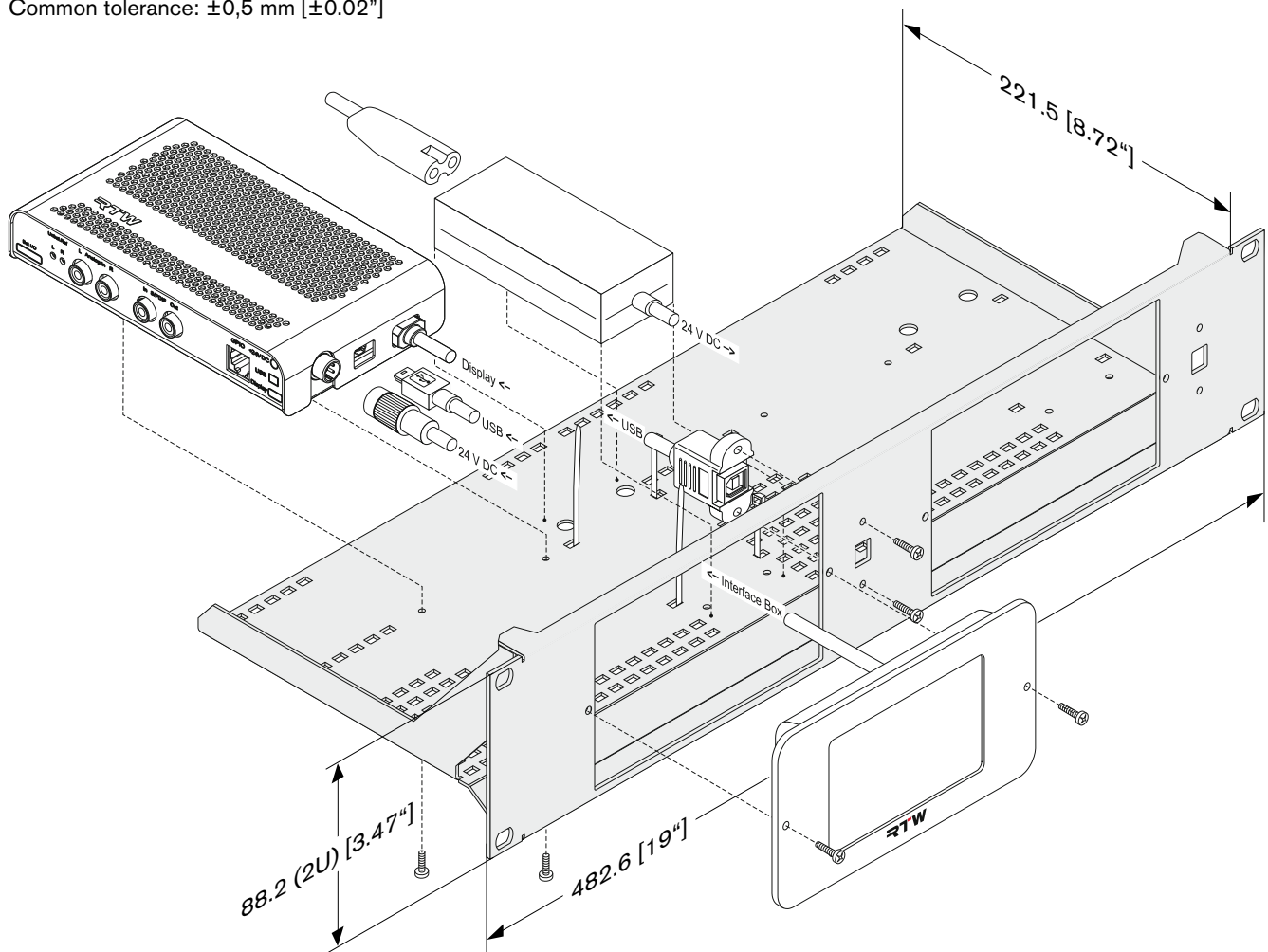
Dimensions (continued)

Option TM3-MA2U

(separate available 19"/2U rack carrier/mounting frame for mounting up to two TM3S equipped with TM3-2U option)

Dimensions in mm [inch"]

Common tolerance: $\pm 0,5$ mm [± 0.02 "]



1 | Schematic diagram of mounting a TM3S with option TM3-2U into 19"/2U rack carrier TM3-MA2U

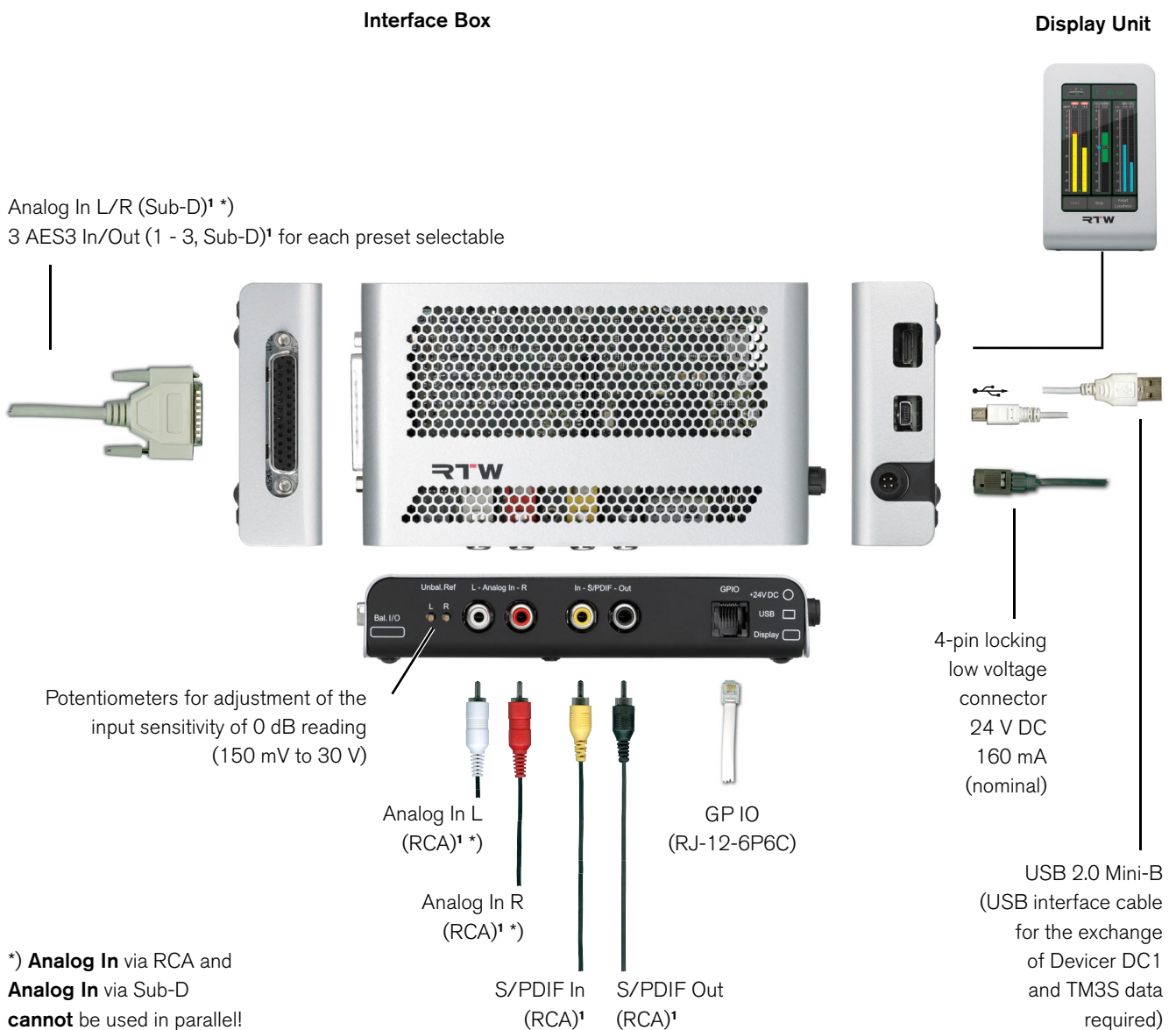
Connection

Connectors



ATTENTION! - For operating the TM3 Smart (TM3S), an appropriate mains adapter is required.

RTW recommends the use of the RTW wide voltage power supply 1178-R (100 - 240 V AC/24 V DC, 2.7 A) approved for TouchMonitor. This power supply is included in the TM3 Smart (TM3S) package.



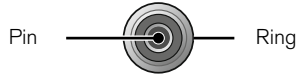
¹ The length of each connected signal cable must not exceed 3 m!

Pin Assignment

Analog In L, Analog In R (unbalanced, RCA-F)

Pin: Function:

Pin: Signal
Ring: Shield/chassis



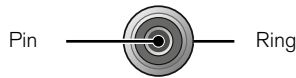
(External view of the connector)

NOTE - The input sensitivity for 0 dB reading is adjustable in the range from 150 mV to 30 V. While using the RCA connectors, the corresponding inputs of the Sub-D connector cannot be used.

Digital In, Digital Out (S/PDIF, unbalanced, RCA-F)

Pin: Function:

Pin: Signal
Ring: Shield/chassis



(External view of the connector)

NOTE - The S/PDIF input is permanently terminated with 75 Ω.

24 V DC (4-pin locking low voltage, type Binder 710)

Pin: Function:

1 +24 V DC
2 +24 V DC
3 0 V
4 0 V



(External view of the connector)

NOTE - An external overcurrent protective device (2 A max.) shall be installed when using an external 24 V DC power supply!

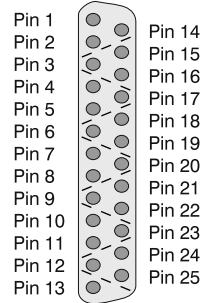
USB Mini-B

Full Speed USB 2.0 interface for connecting the TM3 unit to the computer using a standard USB data cable. The USB interface is used for the data exchange between Device Configurator software Devicer DC1 and TM3.

Sub-D connector (25-pin Sub-D-F)

Pin: Function:

1	Analog input R (+, hot)
14	Analog input R (-, cold)
2	Shield/chassis
15	Analog input L (+, hot)
3	Analog input L (-, cold)
16	Shield/chassis
4	Digital output 3 (+, hot)
17	Digital output 3 (-, cold)
5	Shield/chassis
18	Digital output 2 (+, hot)
6	Digital output 2 (-, cold)
19	Shield/chassis
7	Digital output 1 (+, hot)
20	Digital output 1 (-, cold)
8	Shield/chassis
21	Digital input 3 (+, hot)
9	Digital input 3 (-, cold)
22	Shield/chassis
10	Digital input 2 (+, hot)
23	Digital input 2 (-, cold)
11	Shield/chassis
24	Digital input 1 (+, hot)
12	Digital input 1 (-, cold)
25	Shield/chassis
13	not used



(External view of the connector)

NOTE - The AES3 inputs are permanently terminated with 110 Ω. While using the **analog** inputs of the Sub-D connector, the corresponding **analog** RCA input connectors **cannot** be used.

GPIO (RJ-12-6P6C socket)

External control of functions and presets recall as defined in the Global Keyboard menu. The inputs defined as „active low“ have to be switched against 0 V (Pin 1).

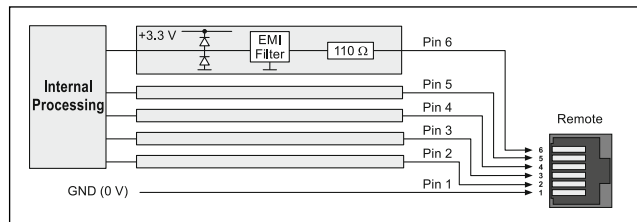
Pin: Function:

1 GND
2 - 6 Function acc. to definition in the menu



(External view of the connector)

Block diagram of the GPIO interface



Specifications

System

General

Power requirements:	+24 V DC (external 2 A max. overcurrent protective device shall be installed!)
Current drain:	160 mA nominal, power-up current is much higher
Display:	Capacitive 4.3" touch screen (272 x 480 pixel)
Connectors:	1 x 4-pin locking low voltage connector type Binder 710 (DC) 1 x USB Mini-B; USB 2.0 Full Speed connectors for data exchange between Device DC1 computer software and TM3S 1 x GPIO (RJ-12-6P6C) for defined functions or preset recall 2 x RCA-F (unbalanced, analog inputs) 2 x RCA-F (unbalanced, S/PDIF in-/output) 1 x 25-pin Sub-D-F (balanced, alternative analog, up to 3 x AES3 in-/outputs)
Dimensions (W x H x D):	Display unit: 82.5 x 138 x 50 mm Interface box: 146 x 29 x 85 mm
Weight:	Display unit approx. 320 g, interface box approx. 460 g, w/o mains adapter
Operating temperature:	+5° to +40° C

Functions

- Instruments can be scaled and freely positioned
- PPM up to 6 channels
- Loudness-Meter: ITU-R BS.1770-4/1771-1, EBU R128, ATSC A/85, ARIB, OP-59, AGCOM, CALM, custom mode
- Loudness Test Time Control
- Loudness Range instrument (LRA)
- Loudness Chart instrument, SPL meter
- Stereo Correlator
- Dialnorm (w/o speech intelligence)
- AES3 status monitor
- Numerical displays
- Moving Coil instruments, Timecode Reader

Analog Inputs

	2 analog inputs, 2 x RCA or alternativ via 25-pin Sub-D-F connector
▪ RCA	
- Input sensitivity for 0 dB reading	
RCA:	via potentiometer adjustable from 150 mV to 30 V
- Impedance:	> 10 kOhm
▪ Sub-D	
- Input sensitivity for 0 dB reading	
Sub-D:	+6 dBu (1,55 V)
- Reference level:	via software adjustable from 0 to +10 dBu
- Max. input level:	+24 dBu
- Impedance:	> 10 kOhm, electronically balanced

Digital Inputs/Outputs

	1 digital S/PDIF input, RCA, unbalanced, 75 Ω
	1 digital S/PDIF output, RCA
	3 AES3 inputs, transformer balanced, 110 Ω, Sub-D-F connector, 25-pin (in-/output)
	3 AES3 outputs, transformer balanced, Sub-D-F connector, 25-pin (in-/output)
Sampling rates:	44.1, 48, 96 kHz, synchronisation to digital input signal



Specifications (continued)

PPM/True Peak Display

General

Input sources:	analog and/or digital
Peakmeter:	2-ch. Stereo to 6-channel (Multichannel, 5.1)
Display:	<ul style="list-style-type: none">Peak levelPeak hold (selectable color)Numerical value of the display
Functions:	<ul style="list-style-type: none">Gain (+20 dB, +40 dB acc. to standard)Peak hold on/offMemoryReset

Analog Peakmeter

Analog scales:	<ul style="list-style-type: none">DIN5: +5 .. -50 dB,Nordic: +12 .. -42 dB,BR IIa: 7 .. 1 (British),BR IIb: +12 .. -12 dB (British),Zoom10: +10 .. -10,Zoom1: +1 .. -1,SMPTE24: +24 .. -30SMPTE20: +20 .. -40NHK
----------------	--

Integration time:	acc. to standard or 20 ms, 10 ms, 1 ms, 0,1 ms
Peak hold indicator:	1, 2, 4, 10, 20, 30 s, manual reset or off

Digital Peakmeter

Word width:	24 bit
Digital scales:	<ul style="list-style-type: none">TP60: +3 .. -60 dBTP20: +3 .. -20 dBDig60: 0 .. -60 dBDig20: 0 .. -20 dBDig0: +18 .. 0 dBDig18: +18 .. -18 dBDig40: +20 .. -40 dBARD9: +9 .. -60 dBDIN5: +5 .. -50 dB,DIN10: +10 .. -50 dB,Nordic: +12 .. -42 dB,BR IIa: 7 .. 1 (British),BR IIb: +12 .. -12 dB (British),Zoom10: +10 .. -10,Zoom1: +1 .. -1,

Headroom/Headroom Ref: adjustable in the range from 0 to -20 dB in steps of 1 dB

Operation field: adjustable in the range from 0 to -20 dB in steps of 1 dB

Integration time (Attack):	acc. to corresponding standard or selectable: Sample, 20 ms, 10 ms, 1 ms, 0.1 ms
Gain:	+20 dB, +40 dB (acc. to standard)
High-pass filter:	Off, 5 Hz, 10 Hz, 20 Hz
Peak hold indicator:	1 s, 2 s, 4 s, 10 s, 20 s, 30 s, manual reset or off
Over indicator hold time:	1 s or manual
Over indicator PPM	
- Threshold:	Full Scale, Full Scale -1LSB, Full Scale -2LSB, -0.1 dBFS, -0.5 dBFS, -1 dBFS, -2 dBFS, -3 dBFS
- Attack time:	1 to 15 samples
- Word width:	16 to 24 bit, selectable
Over indicator True Peak	
- Threshold:	adjustable

AES3 Status Monitor

Display:	<ul style="list-style-type: none">channel data are displayed as plain text, hex or binaryChannel selectableAudio bit activityHardware status
----------	---

Global Keyboard

The Global Keyboard is used for control of defined functions in multiple instruments, and for preset recall. It also allows the external control with the integrated GP IO interface.

Loudness and SPL Display

EBU R128 Loudness Mode

ITU-R BS.1771 Loudness Mode

ATSC A/85 Loudness Mode

ARIB Loudness Mode

OP-59 Loudness Mode

AGCOM Loudness Mode

CALM Loudness Mode



Specifications (continued)

Customer Specific Loudness Mode

Display:	<ul style="list-style-type: none"> Bargraphs for each single channel (can be combined with PPM bargraphs) M bargraph (Momentary value) S bargraph (Short - shortterm value) I-Bargraph (Integrated - long term value) Red scale markers for 0 LU thresholds
Numerical display:	<ul style="list-style-type: none"> Short, Integrated, Momentary, LRA values Maximum values for True Peak (TPmax), Momentary (Mmax), Short (Smax) Duration of Integrated measurement (I-time)
Scales: *)	<p>Loudness scales:</p> <ul style="list-style-type: none"> EBU+9: +9 .. -18 LU EBU+18: +18 .. -36 LU EBU+9a: 14 .. -41 LUFS EBU+18a: -5 .. -59 LUFS EBU0: 0 .. -60 LUFS ITU+9: +9 .. -18 LU ITU0: 0 .. -30 LKFS ATSC0: 0 .. -60 LKFS ATSC0a: 0 .. -30 LKFS
Weighting filter:	K filter acc. to ITU-R BS.1770
Target Level: *)	-23 LUFS; adjustable in the range from -10 to -30 LUFS
Time & Gate Momentary: *)	
- Window Time (SQR):	adjustable in the range from 200 ms to 1000 ms in steps of 100 ms
- Integration (IIR):	IEC 125 ms Fast, 250 ms (IRT), 500 ms, 750 ms, IEC 1000 ms Slow, 1500 ms, 2000 ms selectable
Time & Gate Short: *)	
- Integration Time:	3 s; time window adjustable in the range from 1 to 20 s in steps of 1 s
Time & Gate Integrated: *)	
- Silence Gate:	-70.0 LUFS; adjustable in the range from -80.0 LUFS to -40.0 LUFS in steps of 0.5 LUFS, switchable
- Relative Gate:	-10.0 LU; adjustable in the range from -40.0 LU to 0 LU in steps of 0.5 LUFS, switchable
Level adjustment for the summation: *)	<ul style="list-style-type: none"> 0.0 dB (L, R, C), adjustable between -3 and +3 dB in steps of 0.5 dB +1.5 dB (LS, RS), adjustable between -3 and +3 dB in steps of 0.5 dB Off (LFE), selectable: Off, 0 dB, 10 dB

Upper tolerance:	acc. to standard; tolerance above the Target Level, adjustable from 0 to +10 LU in steps of 0.1 LU
Lower tolerance:	acc. to standard; tolerance below the Target Level, adjustable from 0 to -12 LU in steps of 0.1 LU

*) Depending on the used loudness standard not all of the listed settings are available.

Loudness Test Time Control

Settings for operating automatic, semi-automatic or manual loudness measurements.

Start:

- Functions:	Autostart after preset load, autostart with gate, autostart with gate and autoreset, manually via keys or GPI
- Level for gate:	-70,0 LUFS/LKFS; adjustable from -85 to -10 LUFS/LKFS in steps of 0.5 LUFS/LKFS

Stop:

- Functions:	manually via keys or GPI, autostop with gate, autostop with gate and time
- Level for gate:	-70,0 LUFS/LKFS; adjustable from -85 to -10 LUFS/LKFS in steps of 0.5 LUFS/LKFS
- Time for gate:	1 s; adjustable from 1 to 15 s in steps of 1 s

Loudness Range Instrument (LRA)

Display:	Graphical display of the Loudness Range
Mode:	selectable: LRA Bar, MagicLRA, MagicLRA + I, MagicLRA + I + Num
Scale range:	selectable: 6 LU, 10 LU, 20 LU, 30 LU
LRA low range:	2 LU; adjustable in the range from 1 to 20 LU in steps of 1 LU
Comfort zone:	4 LU; adjustable in the range from 1 to 20 LU in steps of 1 LU
LRA high range:	depends on the selected scale range and the spread of the comfort zone
Colors:	selectable for each range

SPL Meter Mode

Display:	<ul style="list-style-type: none"> Bargraphs for each single channel (can be combined with PPM bargraphs) Summation bargraph
Reference point:	adjustable in the range from 68 dB to 88 dB in steps of 1 dB
Weighting:	Linear, A (Leq(A)), C, CCIR (Leq(M)), k
Integration time:	Fast (125 ms), Slow (1 s)



Specifications (continued)

Timecode Reader

Decoding and display of LTC timecode.

Display:	numerical display of LTC (from analog or digital sources)
Mode:	LTC (fixed), instrument selectable when creating a Non-Audio group
Input:	one analog or digital channel selectable
Colors:	selectable, 32 colors

Moving Coil

Display of needle instruments for up to 2-channel Stereo with different scales.

Type:	PPM (L/R), PPM (M/S), VU, Loudness, PPM + Loudness (L/R; M, S, or I), selectable
PPM:	
- Ch. arrangement:	Dual, Dual + M/S horizontal, Dual + M/S vertical, Stereo horizontal, Stereo vertical
- Scales:	<ul style="list-style-type: none"> ▪ BR IIa: 7. .1, BR IIa ext: 7. .1 ▪ BR IIb: +12. .-12 dB, BR IIb ext: +12. .-12 dB
- Integration time:	Sample (digital only), 0.1 ms, 1 ms, 10 ms, 20 ms, 150 ms
- Headroom Ref:	available with digital sources only: -10 dB; adjustable from 0 to -20 dB in steps of 1 dB
- S mode:	only available, if M/S type is selected: M3, M6
- Peak indicator:	Off, Peak, True Peak, BR Peak
- BR Peak Threshold:	6 dB, <ul style="list-style-type: none"> ▪ BR IIa: adjustable from 4 to 7 dB in steps of 1 dB ▪ BR IIb: adjustable from 0 to 12 dB in steps of 1 dB
VU:	
- Ch. arrangement:	Stereo horizontal, Stereo vertical
- Scale analog:	VU (-20 to +3 dB)
- Scale digital:	VU Digital (-20 to +3 dB)
- Lead:	0 dB, adjustable from 0 to 12 dB in steps of 1 dB
- Peak indicator:	Off, Peak, True Peak
Loudness:	
- Ch. arrangement:	Dual, Stereo horizontal, Stereo vertical
- Scales:	acc. to Loudness settings
- Integration time:	acc. to standard
- Peak indicator:	Off, no selectable option available

PPM + Loudness:

- Ch. arrangement: Dual-PPM (as described above) with additional Loudness display (BBC) for M, S, or I (selectable) in one instrument
- Scales:
 - PPM: see above
 - Loudness: +9 to -9 LU fixed (mid of scale corresponds to Target Level)

Numerical display: switchable

Chart

Description: Loudness Chart instrument for displaying and analyzing the course over time of a loudness measurement directly on the display.

Loudness Chart Instrument

Functions:	<ul style="list-style-type: none"> ▪ Coordinate system displaying a graph with the course over time of one of the measured values TP, M, S, or I ▪ Relative Gate view switchable ▪ Adjustable time ranges ▪ Vertical Integrated bargraph switchable ▪ Adjustable tolerance levels
Display:	<ul style="list-style-type: none"> ▪ Course over time of the selected value with color filling or as line ▪ Tolerance Marker ▪ Position of the Relative Gate (doubled horizontal line) ▪ Vertical I bargraph
Colors:	<ul style="list-style-type: none"> ▪ Fill: Adoption of the corresponding colors of the Loudness Sum instrument ▪ Line: cyan (M), light red (S), green (I), yellow (TP) ▪ Tolerance Marker: coordinate system turns to light grey except the corridor defined by the tolerance settings ▪ Relative Gate: white
Time range presets:	1 m; 1 m, 5 m, 1 h selectable
Time range select:	via preset or onscreen during normal operation
Upper tolerance:	as defined in the Loudness/Tolerance menu of each audio group; tolerance above the Target Level
Lower tolerance:	as defined in the Loudness/Tolerance menu of each audio group; tolerance below the Target Level



Specifications (continued)

Items of Delivery

- TM3 Smart
(Table-top unit):
- 2-ch. Stereo to 6-channel (Multichannel, 5.1)
 - Smart Software Package with all instruments as described in Software section
 - TM3 display unit with 4.3" touch screen in a table-top case with fixed connector cable (approx. 2 m)
 - Interface box, connected with display unit
 - Mains adapter, manual

Order no.: TM3S

- TM3 Smart
(Panel-mount unit):
- Order of the additional hardware option TM3-2U at the same time necessary
 - 2-ch. Stereo to 6-channel (Multichannel, 5.1)
 - Smart Software Package with all instruments as described in Software section
 - TM3 display with mounting frame, 4.3" touch screen and fixed connector cable (approx. 2 m)
 - Interface box, connected with display unit
 - Mains adapter, manual

Order no.: TM3S + TM3-2U

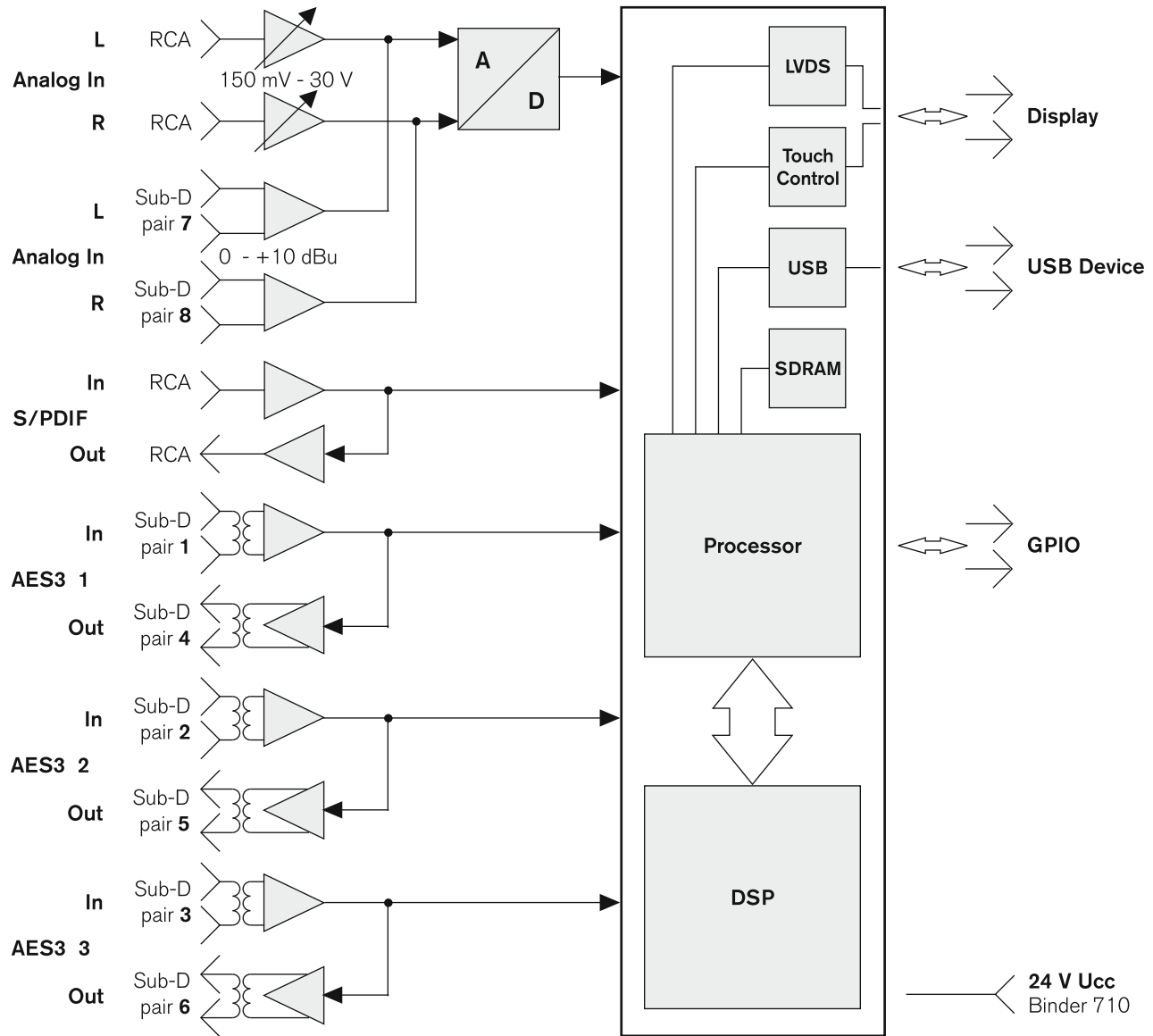
Additional Hardware Options

- Option for 2U rack mounting **TM3-2U**, allows mounting TM3S into rack frame TM3-MA2U or into other appropriate mechanical environments. It can only be ordered together with a TM3S device. Then, a display with mounting frame, mounting material, and an USB extension cable is part of delivery instead of the TM3 display unit in a table-top frame.
- 2U rack carrier **TM3-MA2U**, 19"/2U rack carrier/mounting frame to be fitted with up to two TM3 series units which must feature the TM3-2U option.

Optional Accessories

- Extension cable **1161** for TM3 interface box, 10 m, to enlarge the distance between TM3 display unit and TM3 interface box up to 12 m. Set includes required f-f adapter
- Snake cable **1162** (2 m) for TM3 interface box, distributes 25-pin. Sub-D-M to 2 x XLR-F (analog inputs), 3 x XLR-F (AES3 inputs), and 3 x XLR-M (AES3 outputs)
- Metal mounting plate **1166** for TM3 display unit to be mounted with 3/8" holds (e. g. gooseneck, mic stand)
- Wide voltage power supply **1178-R** (100 - 240 V AC/24 V DC 2,71 A, table-top unit with corresponding mains cable for different power systems)

Block Diagram



© 03/2018 | Technical changes without prior notice.