

**Remote display**

This remote display is designed for use in combination with the RTW timer systems 1180, 1180DCF or 1195.

The cable supplied with the unit provides both power and serial data connections.

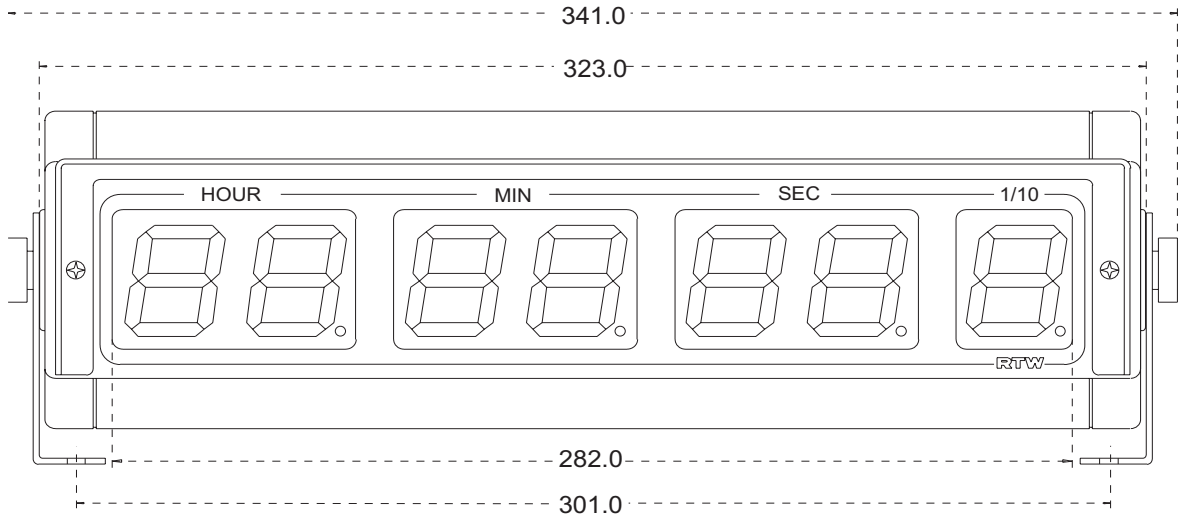
**TECHNICAL SPECIFICATIONS****General**

Display:	7 digit LED display, 40 mm tall, colour red
Weight:	1500 g
Dimensions:	341 x 110 mm, Ø 100 mm
Interface:	Electrical: RS-422 Signals: DCK (data clock) FCK (frame clock) DATA (8 bit slot) Clock rate: DCK 10 kHz FCK 1.25 kHz Format: NRZ, word length 8 bit Bit 0 - 3 segment addresses Bit 4 decimal point Bit 5 - 7 digit addresses Supply: +5 V (logic) +24 V (input voltage) GND (signal) 0 V (input voltage)
Supply voltage:	12 V to 38 V/DC
Current drain:	12 V/170 mA 24 V/117 mA
Connector:	9-pin Sub-D

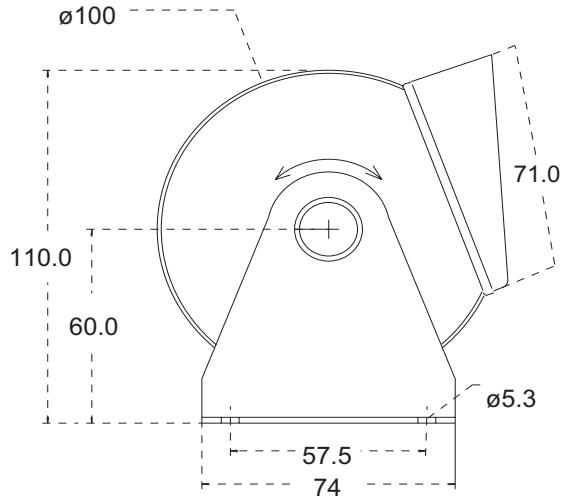
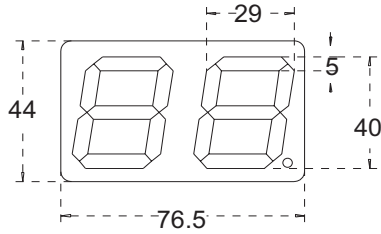
**Items delivered**

Remote display 1197A:	<ul style="list-style-type: none"> <li>• Remote display 1197A</li> <li>• Sub-D-connecting cable, 5 m</li> <li>• operating manual</li> </ul>
-----------------------	---

**Order number: 1197A**



Dimensions in millimeter. Reduced to approx. to 45%.



CONNECTION

9-pin Sub-D

Pin assignment:

- 1 - DCK
- 2 - -FCK
- 3 - -DAT
- 4 - +Vin
- 5 - 0 V
- 6 - +FCK
- 7 - +DAT
- 8 - +5 V
- 9 - GND

COLOURS

RAL 9011 Graphite black

COLOURS

19"-1 unit height  
mounting panel  
Order no.: 12995

Subject to technical changes without prior notice 04/2004