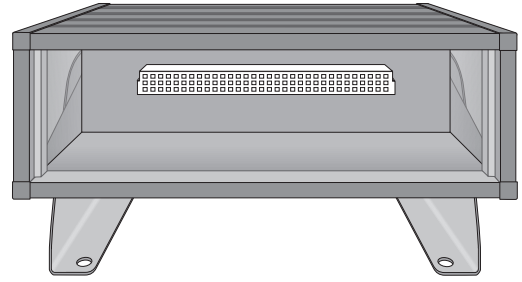

GENERAL DESCRIPTION

Instrument case without power supply

The instrument case is used for the RTW digital instrument series 1000, 140 x 40 mm.

TECHNICAL DATA INSTRUMENT CASE 1076D



NO LONGER AVAILABLE

TECHNICAL SPECIFICATIONS

General

Weight: 800 g (without instrument)
Dimensions: 154 x 55 x 130 mm
Connectors: 1x XLR-f for digital input
1x XLR-m for digital output
1x 15-pin Sub-D-f for remote control
1x DC power supply socket

Items delivered

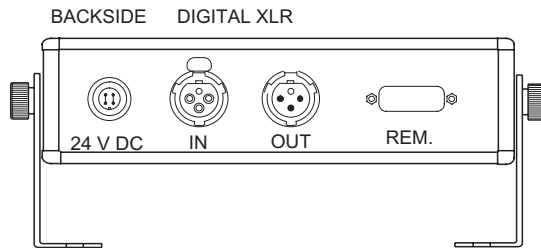
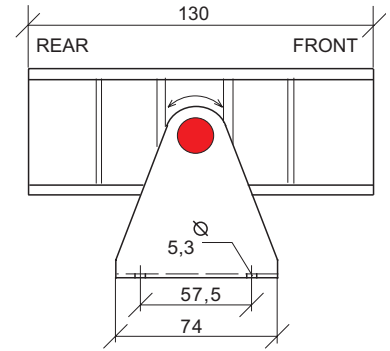
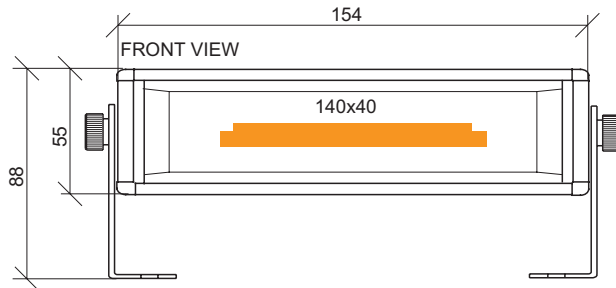
Instrument case 1076D:

- 2 mounting brackets
- DC power supply counter plug
- operating manual

Order number: 1076D

DIMENSIONS

INSTRUMENT CASE 1076D



CONNECTION

XLR-f/digital input

Pin assignment:

- 1 - shield (case)
- 2 - signal hot
- 3 - signal cold

XLR-m/digital output

Pin assignment:

- 1 - shield (case)
- 2 - signal hot
- 3 - signal cold

Power supply

Pin assignment:

- | | | | |
|-----|-------|---|---|
| 1-2 | +24 V | 3 | 1 |
| 3-4 | 0 V | 4 | 2 |
-

Sub-D 15-pin/ext. control inputs

Pin assignment:

- 1 - n.c.
- 2 - +24 V/power supply
- 3 - case
- 4 - 0V/power supply
- 5 - MEMRES-ext. control input
- 6 - MEM-ext. control input
- 7 - SCALE-ext. control input
- 8 - n.c.
- 9 - n.c.
- 10 - +24 V/power supply
- 11 - case
- 12 - 0V/power supply
- 13 - GAIN-ext. control input
- 14 - FAST-ext. control input
- 15 - PEAKHOLD-ext. control input

To activate the different functions connect the correspondent ext. control input to '0V'.
In any case the functions available are depending on the instrument in use.

COLOURS

RAL 7011 Iron grey

ACCESSORIES



Mains adapter, Euro-plug
Order no.: 1171-R



Mains adapter, UK-plug
Order no.: 14519-R

Subject to technical changes without prior notice 04/2004