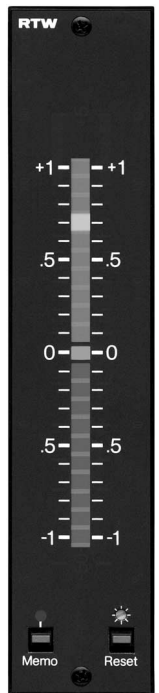
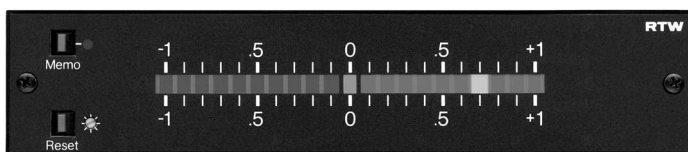


**Correlator**

The stereo correlation meter 1170C is a 190 x 40 x 107 mm plug-in unit. The three-colour display gives a clear indication of the phase relationship of stereo signals. It is featured by a LED display.



NO LONGER AVAILABLE



Scale: horizontal or vertical

- Analog
- 
- X-former bal.
- 1 s
- Scale 105 mm
- 
- Memo

**TECHNICAL SPECIFICATIONS**

**General**

Supply voltage: +24 V DC  $\pm$  10 %  
 Current drain: max. 50 mA  
 Weight: approx. 550 g  
 Dimensions: 190 x 40 x 107 mm  
 Operating temperature range: +5° to +45° Celsius  
 Connector: DIN 41612/C  
 Fastening: M3 screws  
 Controls:  
 • minimum correlation  
 • memory reset  
 • potentiometer for intensity adjustment of the display  
 Indicators:  
 • memory-LED

**Stereo correlation display**

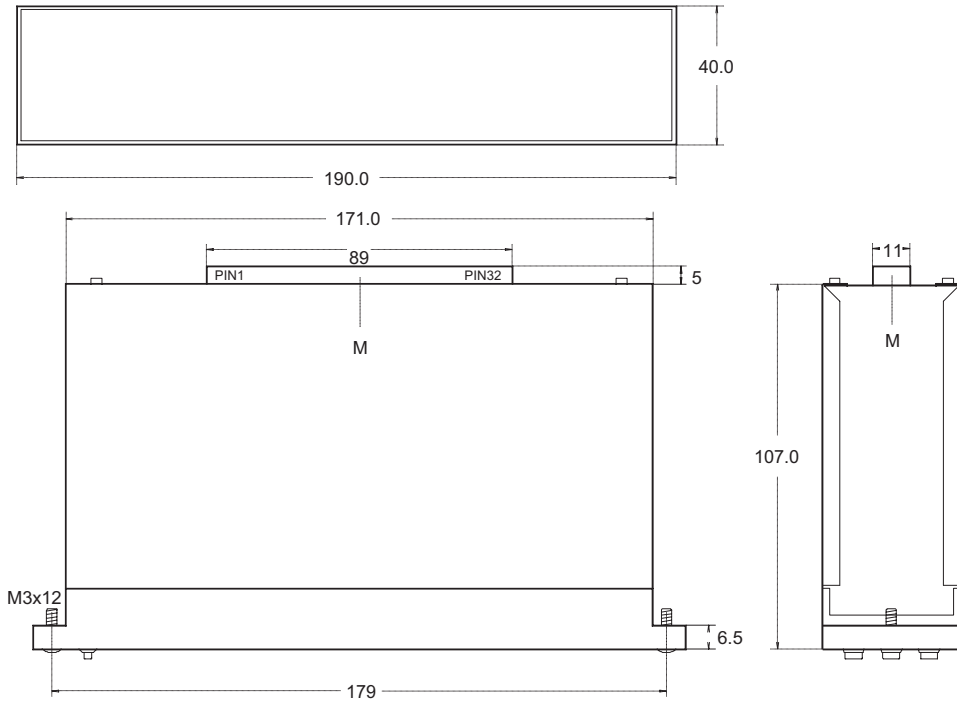
Scale range: -1 r to +1 r  
 Scale length: 105 mm  
 Display segments: 21 segment LED display  
 Colour of display:  
 red -1 r to -0.1 r  
 yellow 0 r  
 green +0.1 r to +1 r

**Accuracy**

20 Hz to 20 kHz:  $\pm$ 0.1 r in the range of -20 dB to +22 dB  
 200 Hz to 15 kHz:  $\pm$ 0.1 r in the range of -36 dB to +22 dB  
 Integration time: 1 s  
 Fall back time: 1 s  
 Inputs: transformer balanced  
 Max. input level: +22 dBu  
 Min. input level: -20 dBu  
 Rejection factor: > 60 dB  
 Input impedance: > 10 k $\Omega$  (20 Hz to 20 kHz)

**Items delivered**

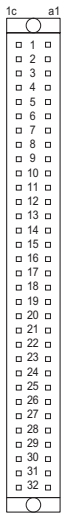
Correlator 1170C:  
 • horizontal scale  
 • alternative vertical scale  
 • counter plug (DIN 41612/C)  
 • operating manual  
**Order number: 1170C**



Abmessungen in Millimeter: Darstellung reduziert.  
Dimensions in mm, scaled down.

CONNECTION

The correlator is connected up using a 32-pin female connector (DIN 41612/C).  
The connector is wired as follows:



- Pin 1a: audio input (+), CH I
- Pin 3a: audio input (-), CH I
- Pin 7a: audio input (+), CH II
- Pin 9a: audio input (-), CH II
- Pin 15a: external control memory reset
- Pin 17a: external control memory display
- Pin 19a: common ground for external controls
- Pin 22a: case
- Pin 30a: 0 V
- Pin 32a: +V

COLOURS

RAL 9011 Graphite black

ACCESSORIES

Subject to technical changes without prior notice 04/2004



19"-1 unit height  
mounting panel  
Orderno. 12993



19"-1 unit height  
mounting panel  
Orderno. 12994



19"-1 unit height  
mounting panel  
Orderno. 12961



Cover plate  
mounting frame  
Orderno. 12996



Power pack and  
bracket  
Orderno. 1128H



Case including  
power supply  
Orderno. 1020E



Case without  
power supply  
Orderno. 1018



19"-5U sub rack  
with power supply  
Orderno. 1125DIN



Clamping lock  
fastening kit  
Orderno. 13973