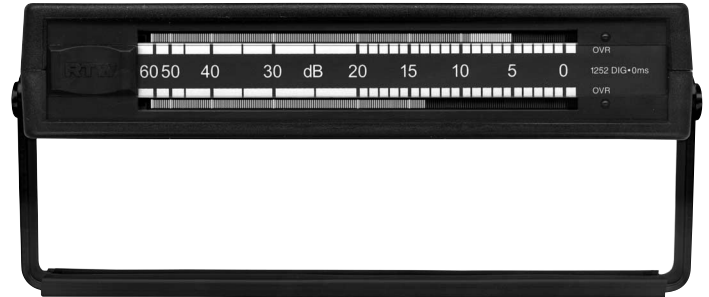


## GENERAL DESCRIPTION

### Peakmeter

The level meter 1252DIG is a 207 x 41 x 141 mm table-top unit. It is featured by a two-channel plasma bargraph display.

## TECHNICAL DATA PEAKMETER 1252DIG



Sliding scale: „digital“ scale (Sample)/  
„analog“ scale (DIN – 10 ms of intergration time)

Digital

AES/EBU

X-former bal.

Sample/10 ms

dB FS/DIN

Scale 127 mm

## TECHNICAL SPECIFICATIONS

### General

Supply voltage: 230 - 240/115 V 50/60 Hz  
Fuse: 230 V AC 50 mA slow  
110 V AC 100 mA slow  
Weight: approx. 1000 g  
Dimensions: 207 x 41 x 141 mm  
Operating temperature range: +5° to +45° Celsius  
Connectors: 1 XLR-input connector  
1 XLR-output connector  
1 cinch  
1 OPTICAL Input/TOSLINK  
european-type mains socket  
Controls: sliding scale

### Peakmeter

Scale length: 127 mm (5 inches)  
Display segments: 201 segments/channel  
Colour of display: orange  
Scale mode 'digital'  
Scale range: 0 dB to -60 dB  
Brighter scale marks: -10, -15, -20, -30, -40, -50 dB  
Headroom range: programmable in the range of -15 dB to -6 dB in steps of 1 dB  
Measuring standard: sample  
Fall back time: 1,5 s for 20 dB and 2,5 s for 40 dB  
Scale mode 'IRT3/6, IEC268/10'  
Scale range: -50 dB to +5 dB  
Brighter scale marks: -10, -15, -20, -30, -40, -50 dB  
Headroom range: programmable in the range of 0 dB to +5 dB  
Measuring standard: 10 msec  
Fall back time: 1,5 s for 20 dB and 2,5 s for 40 dB  
Overload display: 1 LED per channel

Overload detector range programmable: fullscale, fullscale-1, fullscale-2, -0,1 dB, -0,2 dB, -0,5 dB, -1 dB, -2 dB, -3 dB, -4 dB, -5 dB, -6 dB, -7 dB, -8dB, -9 dB, -10 dB  
Overload response characteristic, programmable: 1 to 15 samples (0 = Overload off)  
Sampling frequency: 27 kHz to 55 kHz  
DC/HP filter: off settable per intern DIP-Switch  
Threshold frequency: 5 Hz

### In- and Outputs

Signal inputs: AES/EBU digital format, transformer balanced 110 Ω, (programmable: with/without termination)  
SPDIF digital format, unbalanced, 75 Ω  
OPTICAL/SPDIF  
Signal outputs: looped digital input signal, transformer balanced, 110 Ω

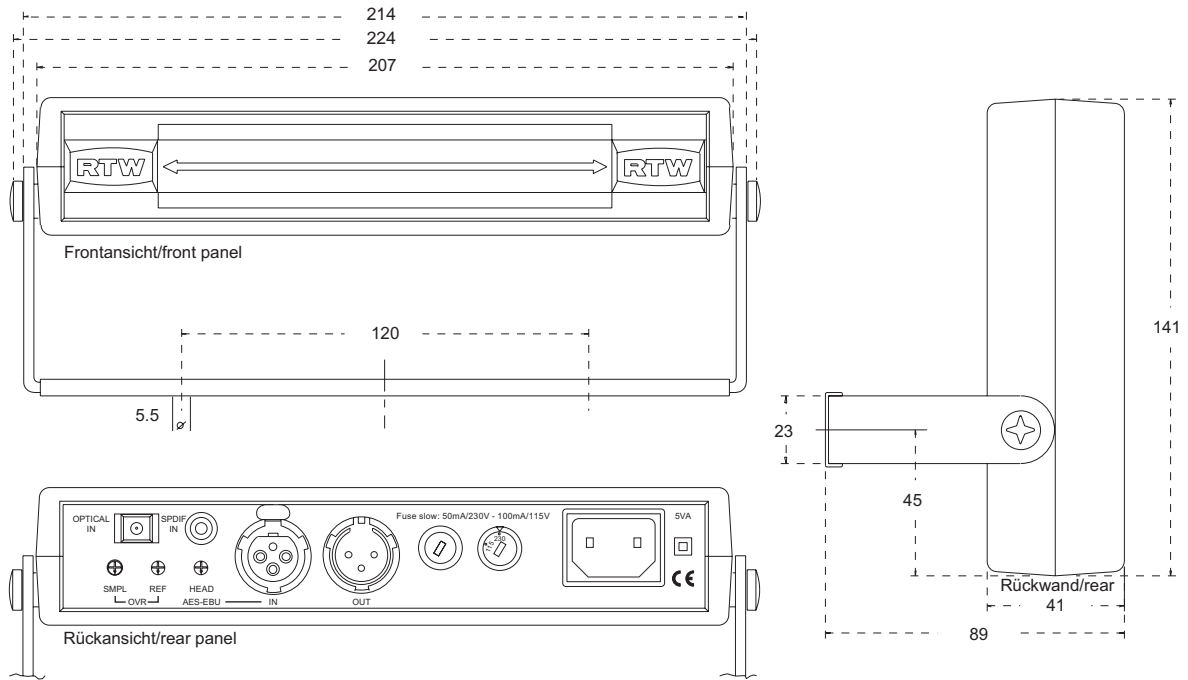
### Items delivered

Peakmeter 1252DIG: • mains power cord  
• operating manual

Order number: 1252DIG

## DIMENSIONS

## PEAKMETER 1252DIG



Abmessungen in Millimeter: Darstellung reduziert. Skalen variieren je nach Gerätetyp  
Dimensions in mm. Size reduced. Scales vary depending on type.

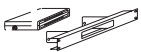
## CONNECTION

AES/EBU input:	XLR-f	pin1 = case pin 2 = AES/EBU in (+) pin 3 = AES/EBU in (-)
Digital output:	XLR-m	pin1 = case pin 2 = AES/EBU out (+) pin 3 = AES/EBU out (-)
SPDIF input:	cinch	center pin = SPDIF in
OPTICAL-input:	TOSHIBA-Toslink	
Power supply input:	IEC320/C18	

## COLOURS

RAL 9011 Graphite black

## ACCESSORIES



19"-1 unit height  
mounting panel  
Order no. 12991



19"-1 unit height  
mounting panel  
Order no. 12992



19"-1 unit height  
mounting panel  
Order no. 12961

Subject to technical changes without prior notice 04/2004