

Hinweis

WARNUNG!



Bitte beachten Sie vor der Inbetriebnahme des Gerätes die folgenden Sicherheitshinweise:

Innerhalb des Gerätes befinden sich keine Teile, die der Wartung durch den Benutzer bedürfen.

Um einen elektrischen Schlag zu vermeiden, darf das Gehäuse nicht geöffnet werden.

Überlassen Sie Wartungsarbeiten stets nur dem Fachmann.

Das Gerät ist für den Einsatz in geschlossenen Räumen vorgesehen.

Entfernen Sie keine Teile aus dem Gerät und führen Sie keine Modifikation am Gerät aus ohne die schriftliche Freigabe durch RTW.

Note

WARNING!



Please read this safety information before using the instrument:

Do not service or repair this product unless properly qualified.

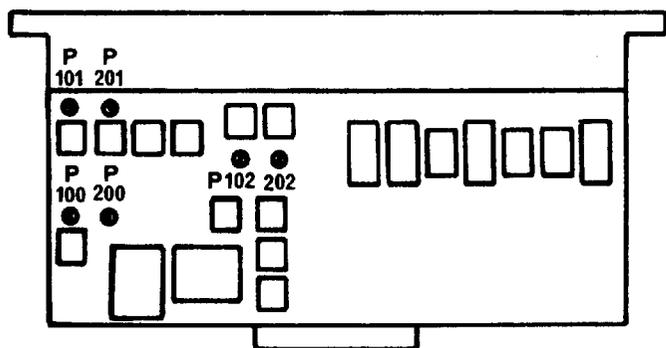
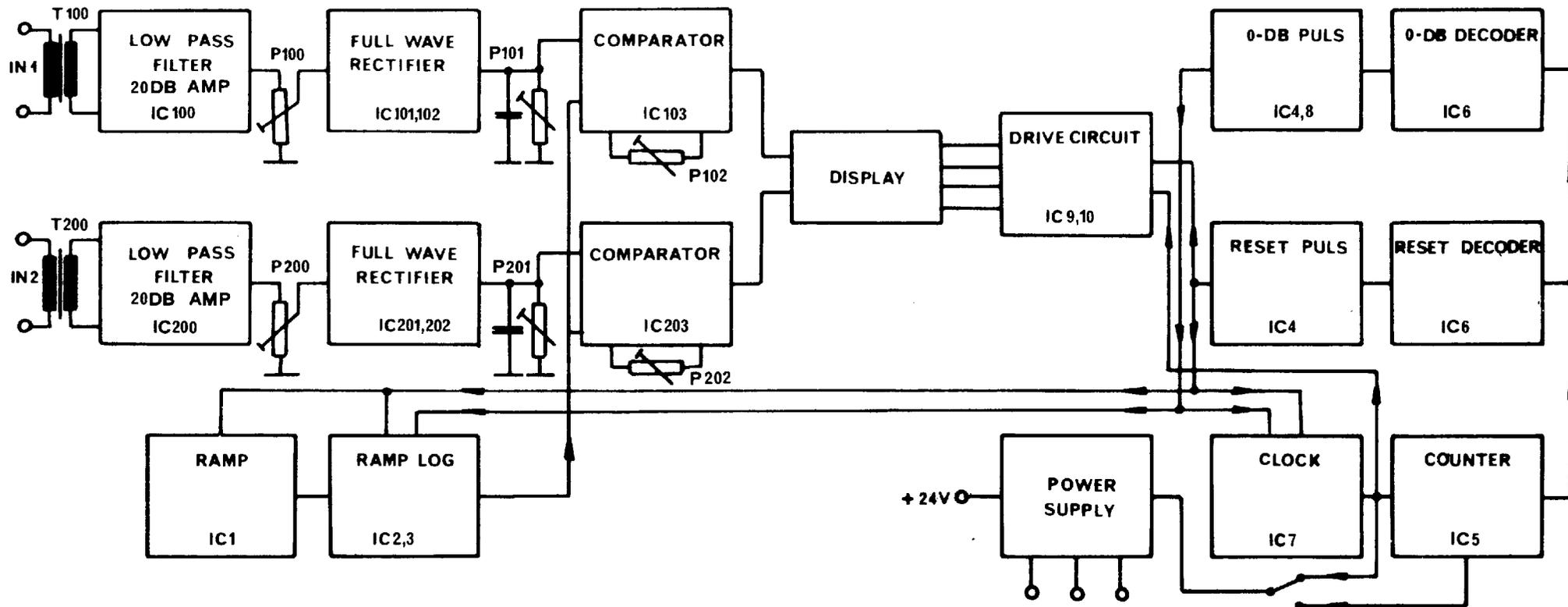
Servicing should be performed only by a qualified technician.

There are no user servicable parts inside the unit.

Do not open the case while the unit is connected to power. High voltage exists inside the instrument.

The device has been designed for indoor use only.

Do not substitute parts or make any modifications without the written approval of RTW.



CONNECTOR : 2700 000

INPUT 1 : pin 22-23
 INPUT 2 : pin 13-14
 CASE : pin 1-12
 GROUND : pin 6
 POS. VOLTAGE : pin 7
 NEG. VOLTAGE : pin 8 (optional)
 EXT. 20dB : pin 19

Adjustments

Zero point:

Without any input level (inputs shorted) adjust potentiometers P 102 and P 202 for reading three segments on the bargraph

0 dB (100 %):

At an input level 1.55 V/1 kHz adjust potentiometers P 100 and P 200 for reading 0 dB on the bargraph

Fall Back Time:

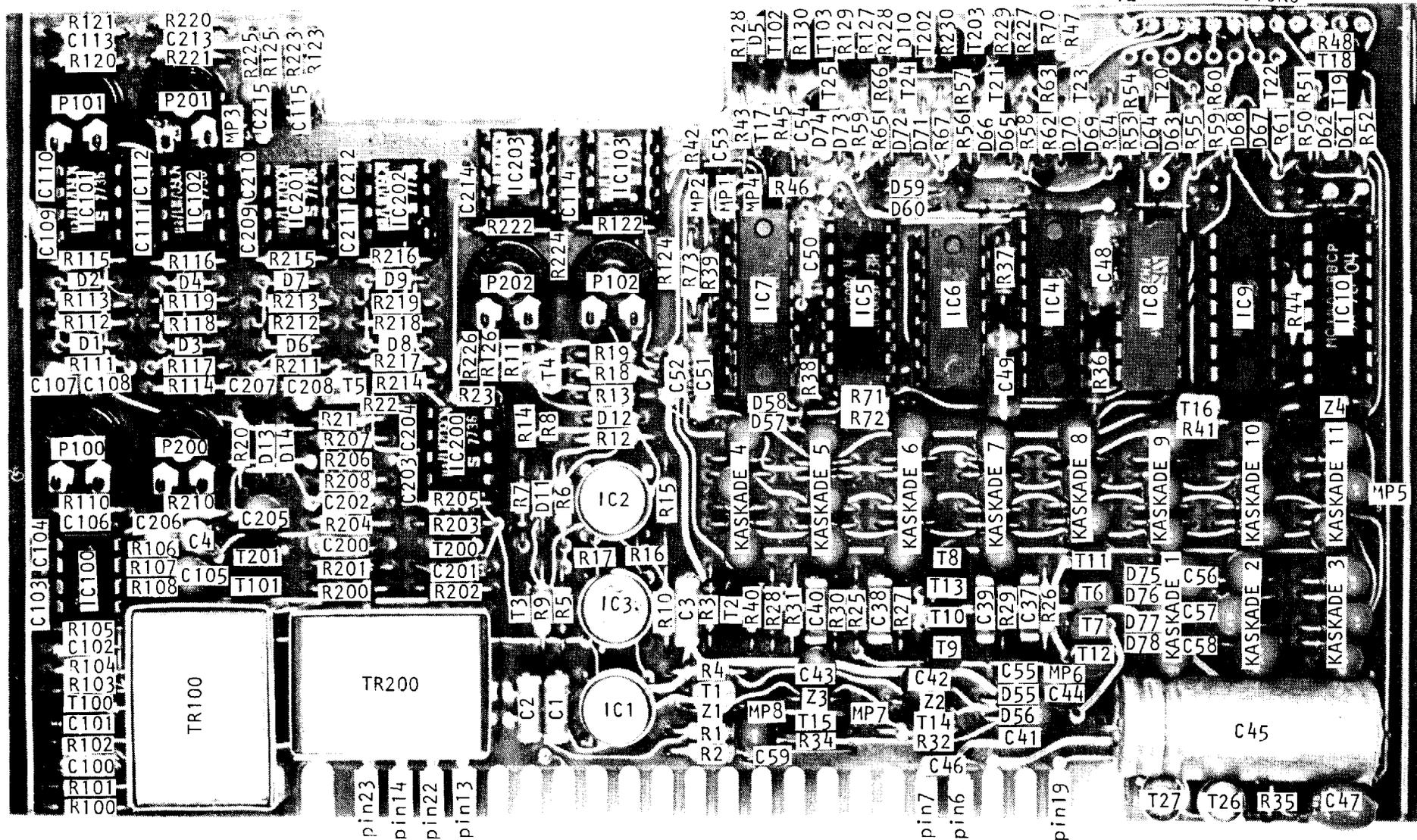
Adjust the potentiometers P 101 and P 201 to obtain a fall back time (0 dB to -20 dB) of 1.5 sec.

BLOCKDIAGRAM

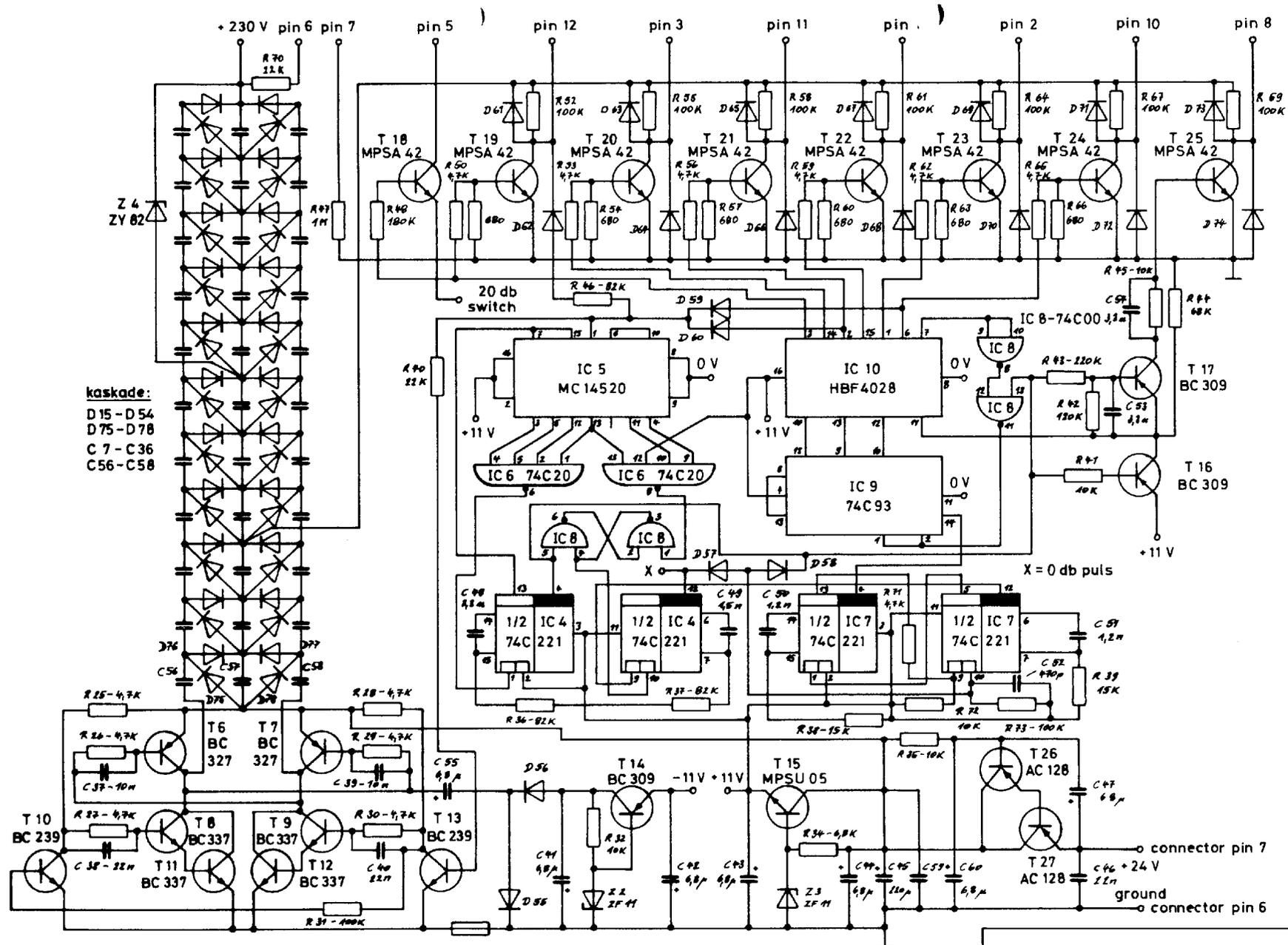
RTW

PEAKMETER

1208,1209,1212,1213



RTW PEAKMETER	
1208 - 1209	
SER. NR. 001 -	30.11.1978



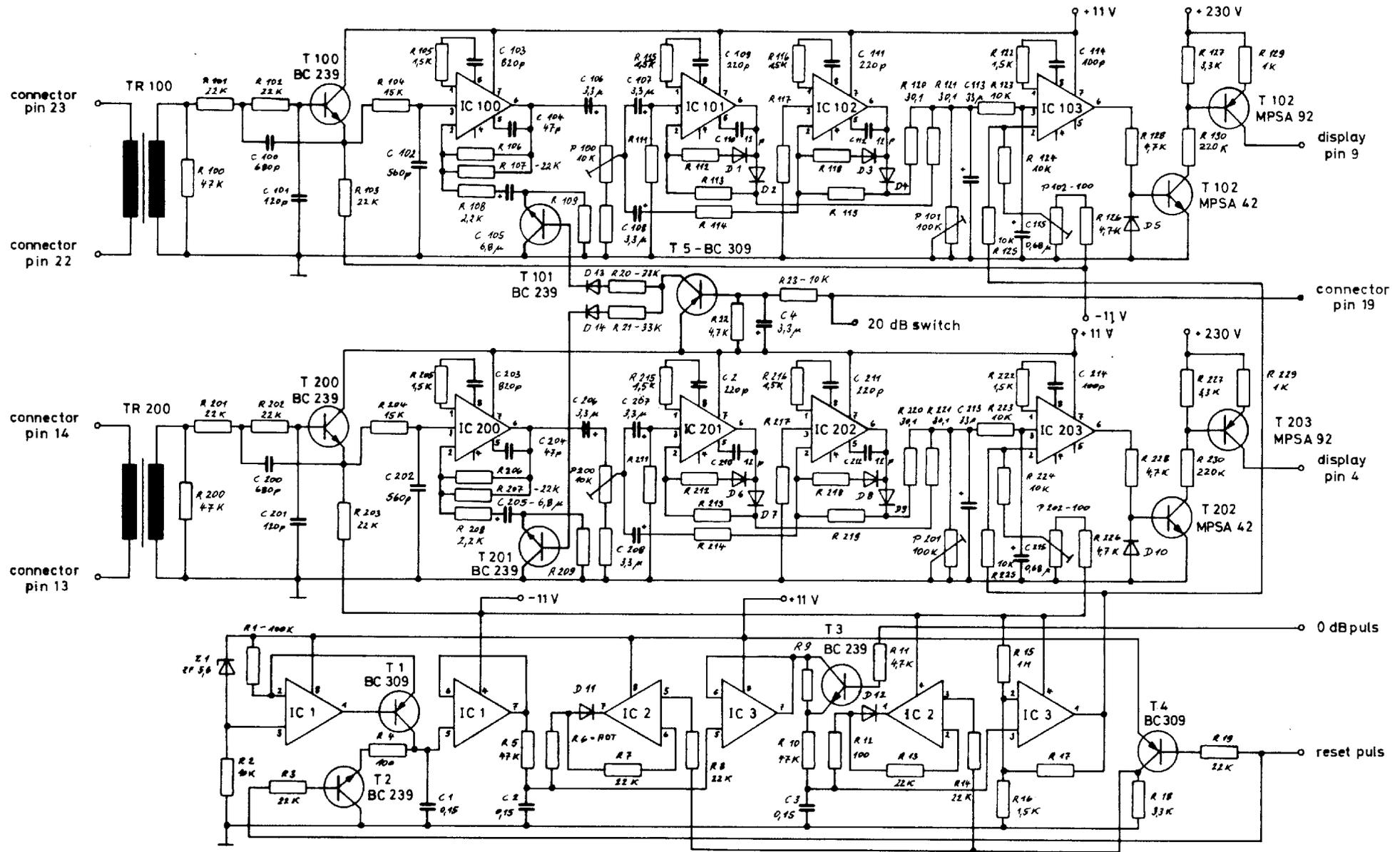
kaskade:
 D15 - D54
 D75 - D78
 C7 - C36
 C56 - C58

note:
 D15-D60, D75-D78 = 1N4148
 D61-D74 = BAY 19
 C7 - C36, C56-C58 = 6,8 μ
 pin1- pin12=display connector

RTW PEAKMETER

POWER SUPPLY, LOGIC
 1208, 1209

SER. NR.: 001- 07.12.1978



note:

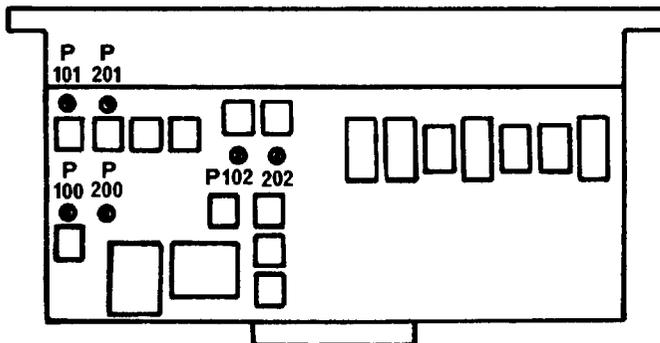
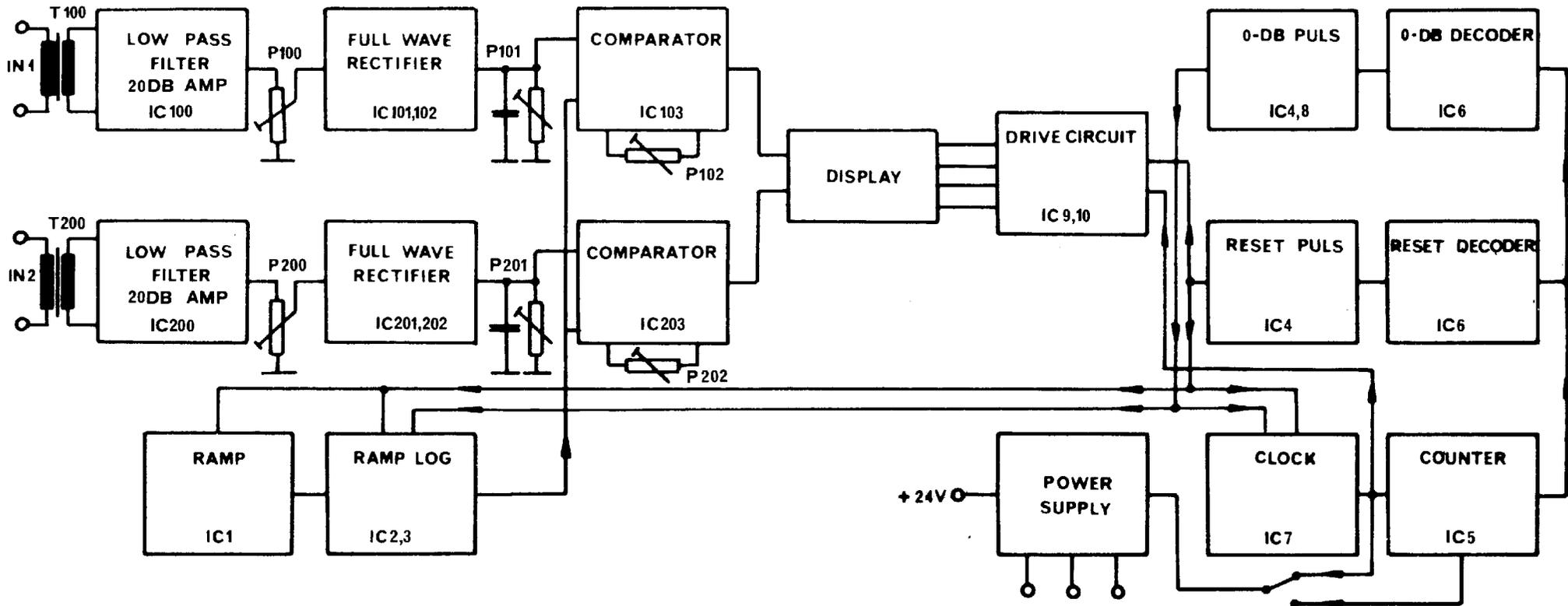
- IC 100 - IC 103 = 709
- IC 200 - IC 203 = 709
- IC 1 - IC 3 = 1458
- D 1 - D 14 = 1N4148
- R 111 - R 119, R 211 - R 219 = 47K 1%.
- R 9, R 106, R 206 = Adjust on Test

RTW PEAKMETER

FILTER, RECTIFIER, COMPARATOR
PULSFORMER 1208, 1209, 1212, 1213

SER. NR. 001 -

20.12.1978



Adjustments

Zero point:

Without any input level (inputs shorted) adjust potentiometers P 102 and P 202 for reading three segments on the bargraph

0 dB (100 %):

At an input level 1.55 V/1 kHz adjust potentiometers P 100 and P 200 for reading 0 dB on the bargraph

Fall Back Time:

Adjust the potentiometers P 101 and P 201 to obtain a fall back time (0 dB to -20 dB) of 1.5 sec.

CONNECTOR : 2700 000

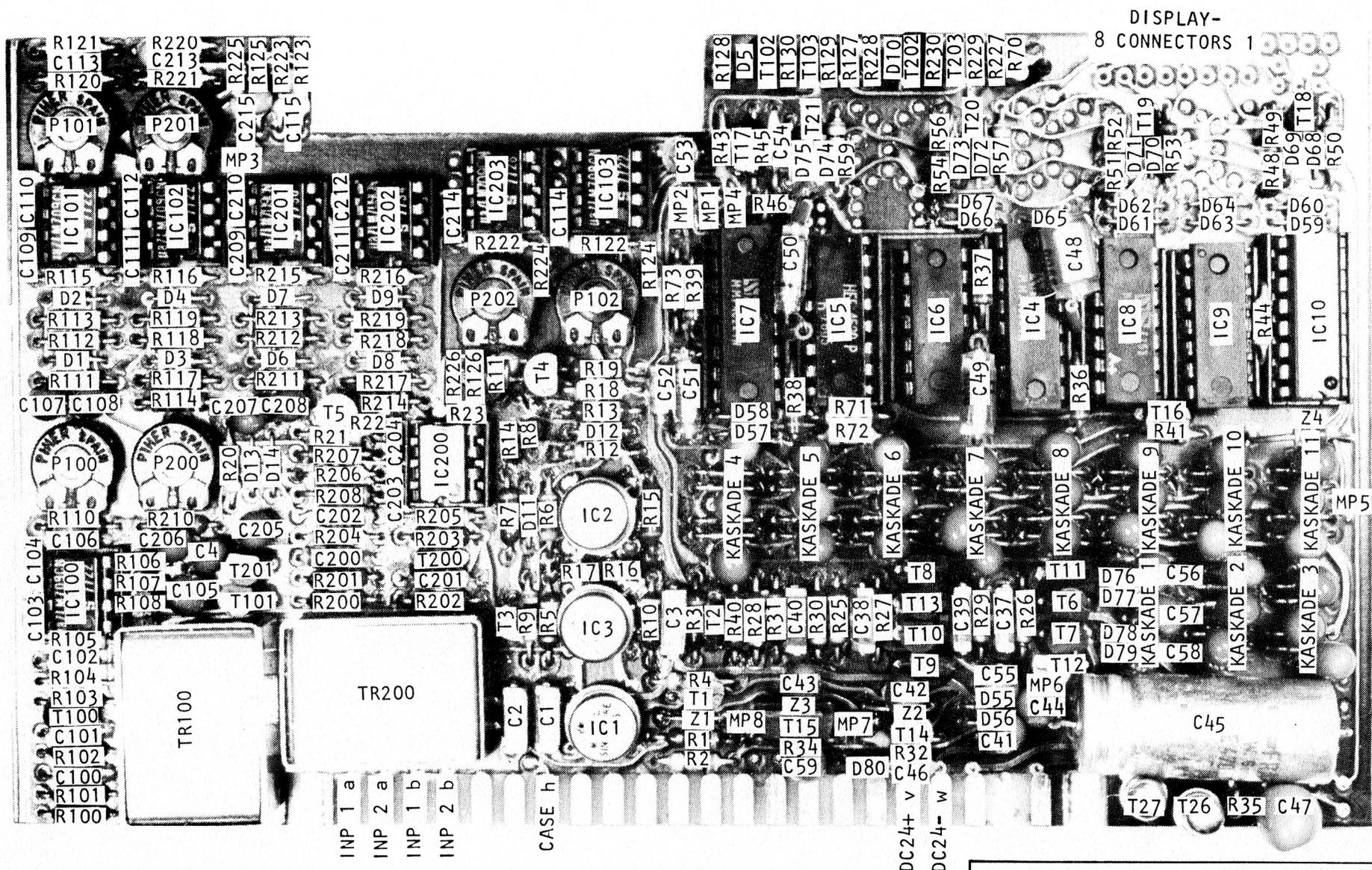
- INPUT 1 : pin 22-23
- INPUT 2 : pin 13-14
- CASE : pin 1-12
- GROUND : pin 6
- POS. VOLTAGE : pin 7
- NEG. VOLTAGE : pin 8 (optional)
- EXT. 20dB : pin 19

BLOCKDIAGRAM

RTW

PEAKMETER

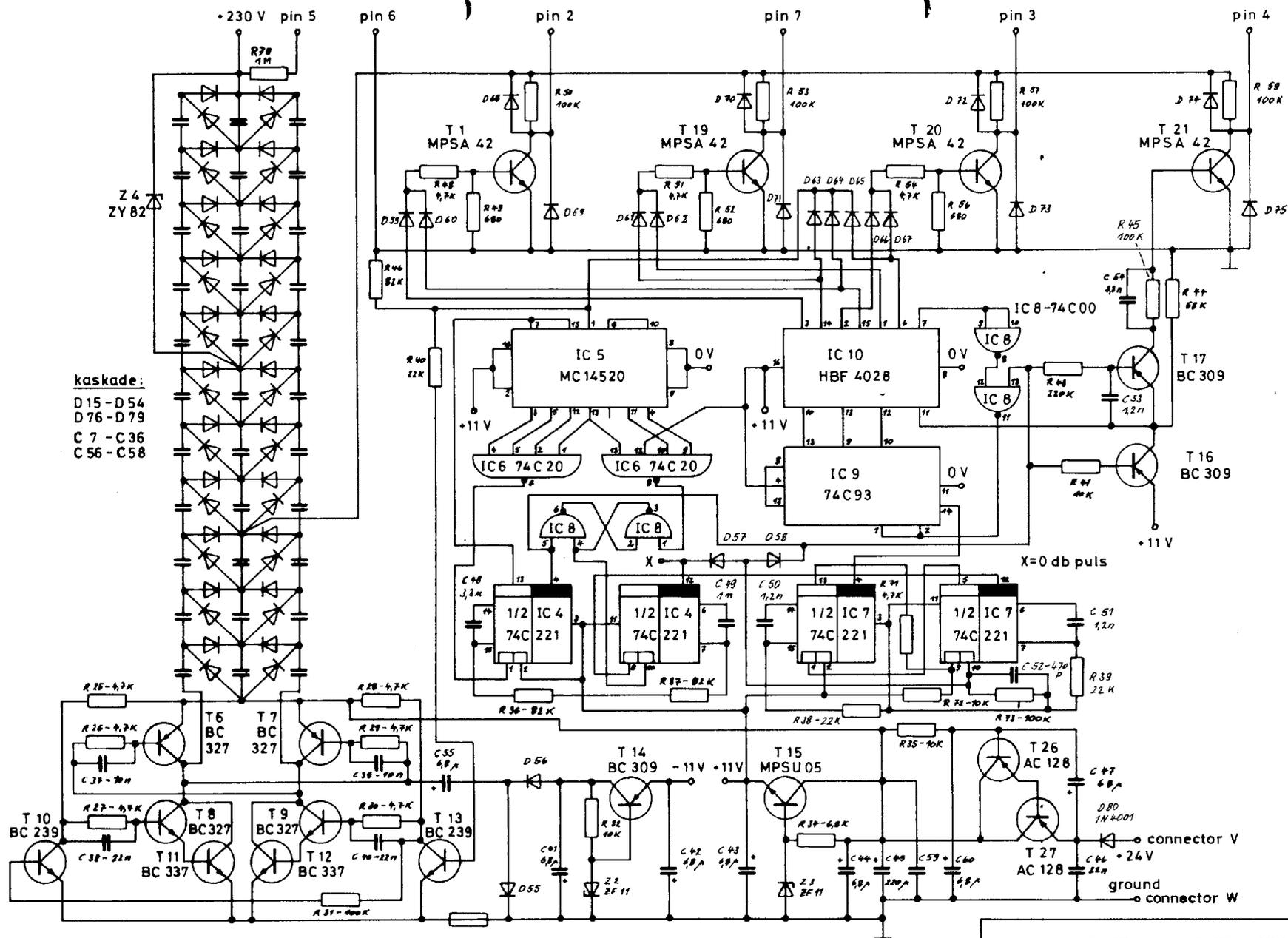
1208,1209,1212,1213



RTW PEAKMETER

1204 , 1212 , 1213

SER. NR. 001-	30.11.1978
---------------	------------



kaskade:
 D15-D54
 D76-D79
 C7-C36
 C56-C58

Note:
 D15-D67, D76-D79 = 1N4148
 D68-D75 = BAY 19
 C7-C36, C56-C58 = 6,8 μ
 pin 1 - pin 8 = display connector

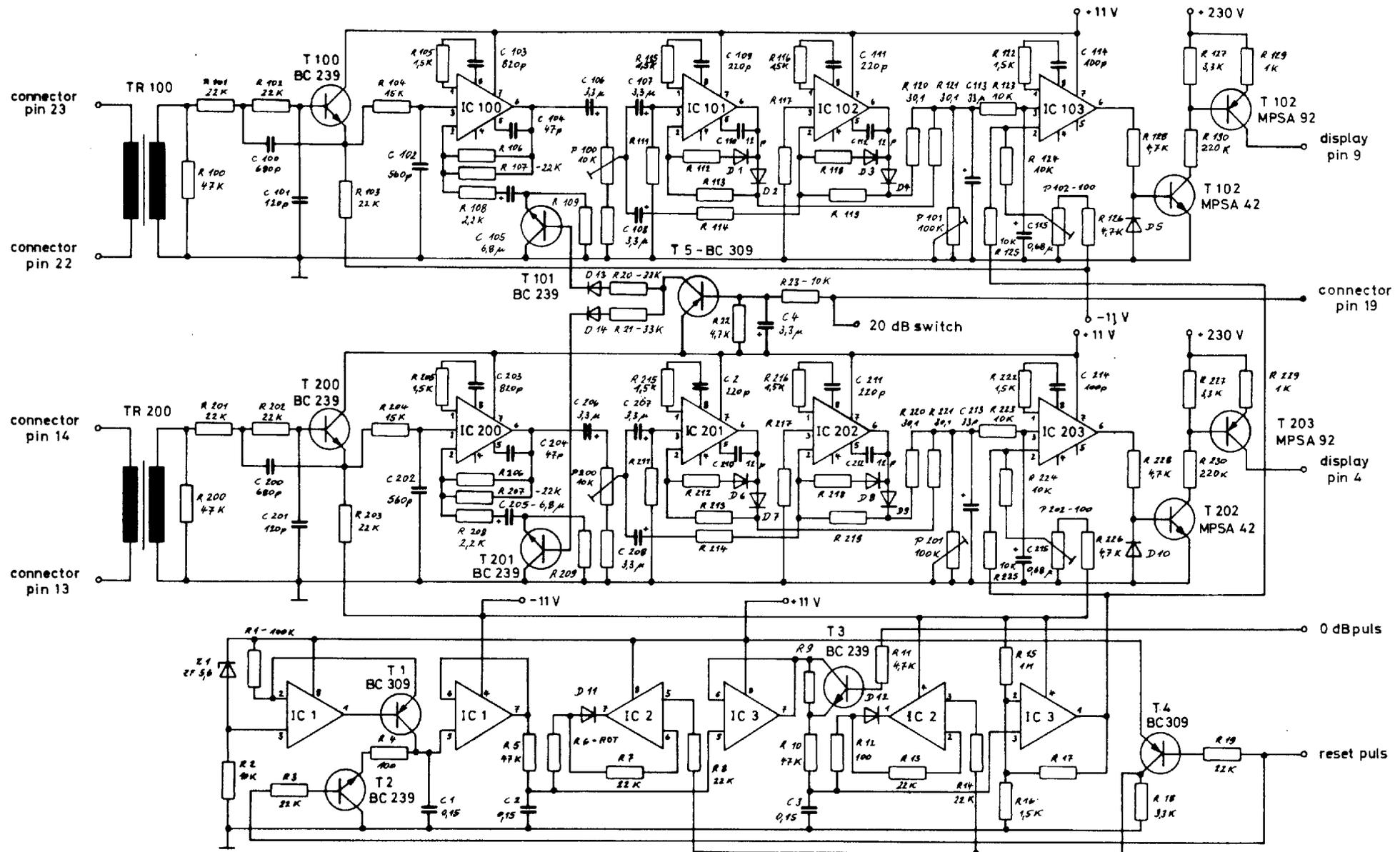
RTW PEAKMETER

POWER SUPPLY, LOGIC

1212, 1213, 1216, 1217

SER. NR.: 1212, 1213: 001 -
 1216, 1217: 500 -

10.12.1978



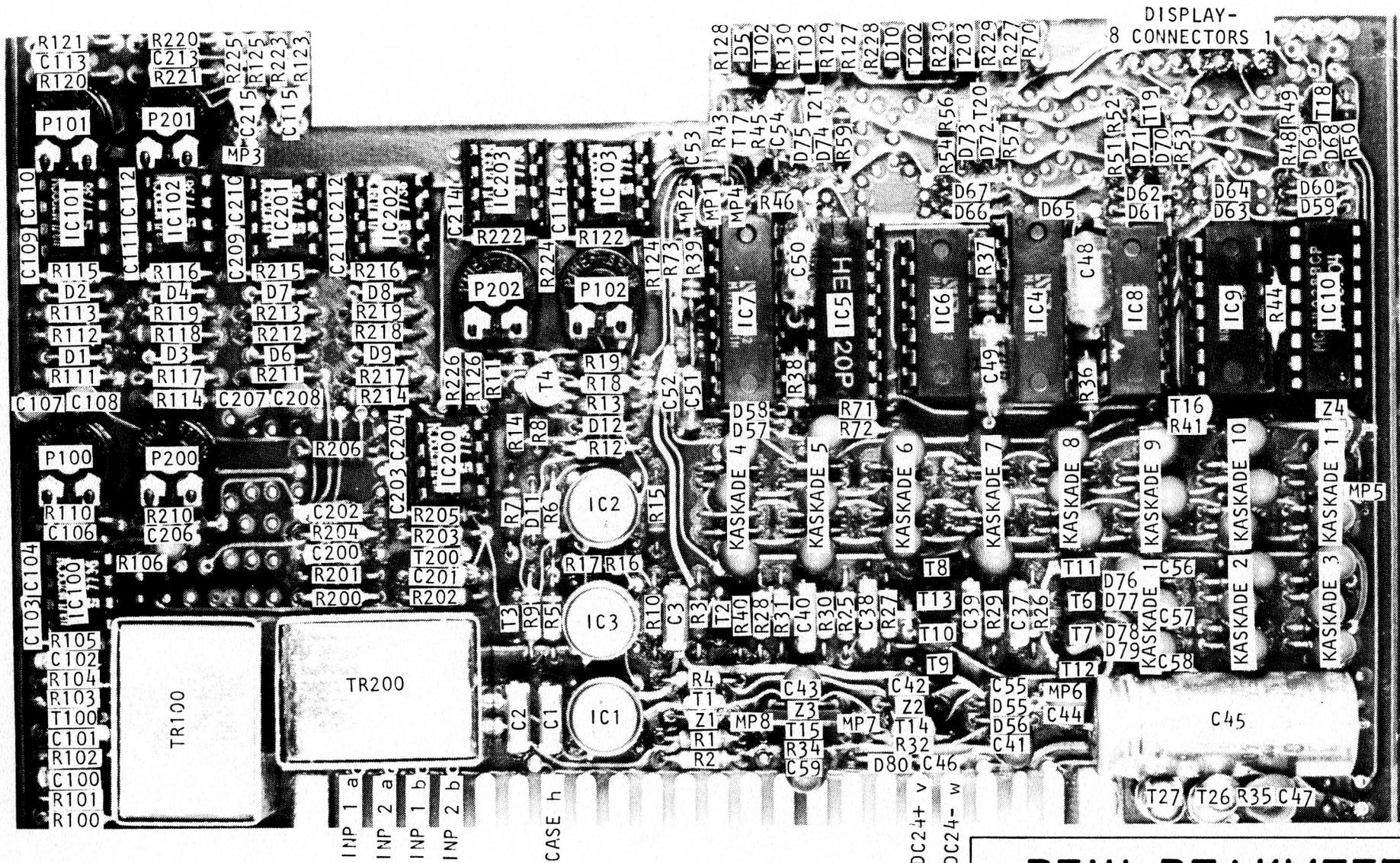
note:
 IC 100 - IC 103 = 709
 IC 200 - IC 203 = 709
 IC 1 - IC 3 = 1458
 D 1 - D 14 = 1N4148
 R 111 - R 119, R 211 - R 219 = 47 K 1%,
 R 9, R 106, R 206 = Adjust on Test

RTW PEAKMETER

FILTER, RECTIFIER, COMPARATOR
 PULSFORMER 1208, 1209, 1212, 1213

SER. NR. 001 -

20.12.1978

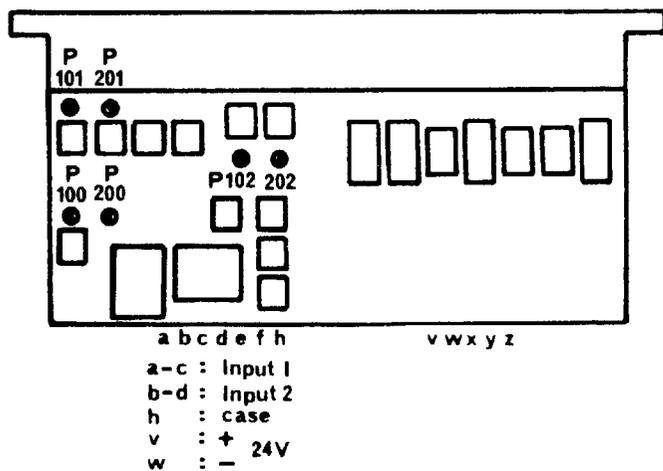
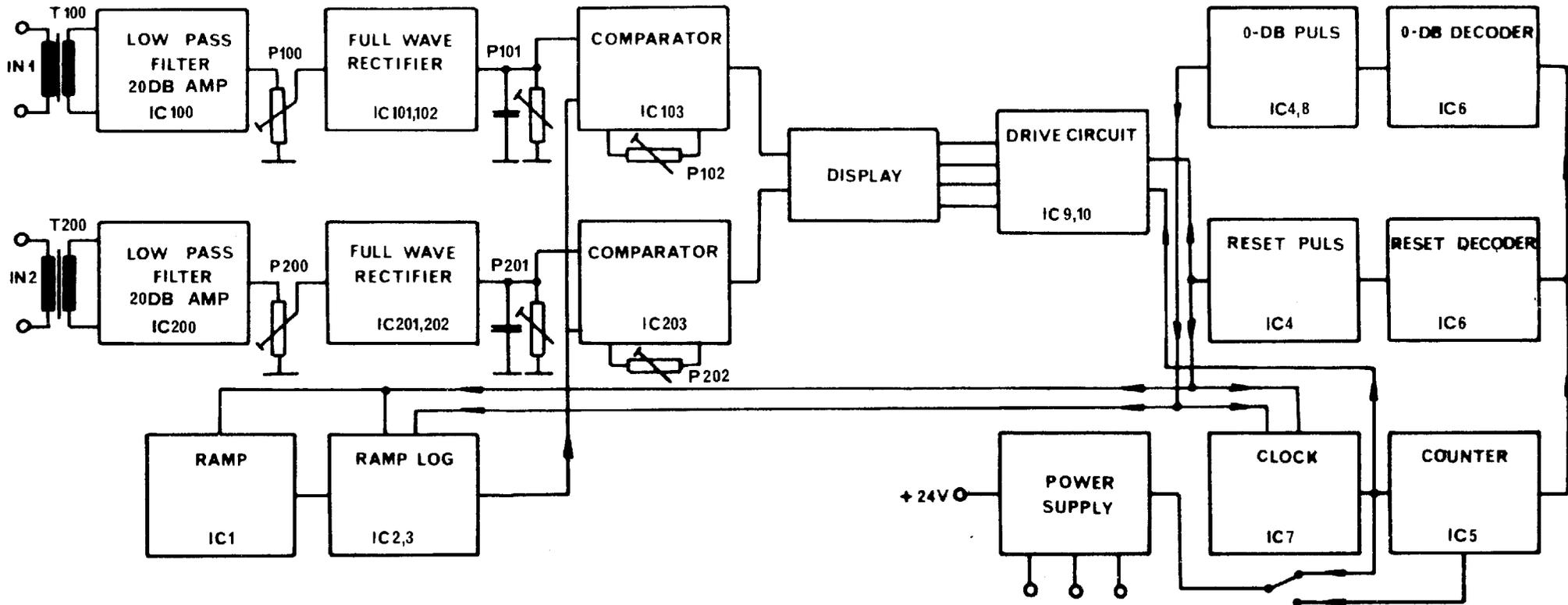


RTW PEAKMETER

1214 - 1217

SER. NR. 500 -

30.11.1978



Adjustments

Zero point:

Without any input level (inputs shorted) adjust potentiometers P 102 and P 202 for reading three segments on the bargraph

0 dB (100 %):

At an input level 1.55 V/1 kHz adjust potentiometers P 100 and P 200 for reading 0 dB on the bargraph

Fall Back Time:

Adjust the potentiometers P 101 and P 201 to obtain a fall back time (0 dB to -20 dB) of 1.5 sec.

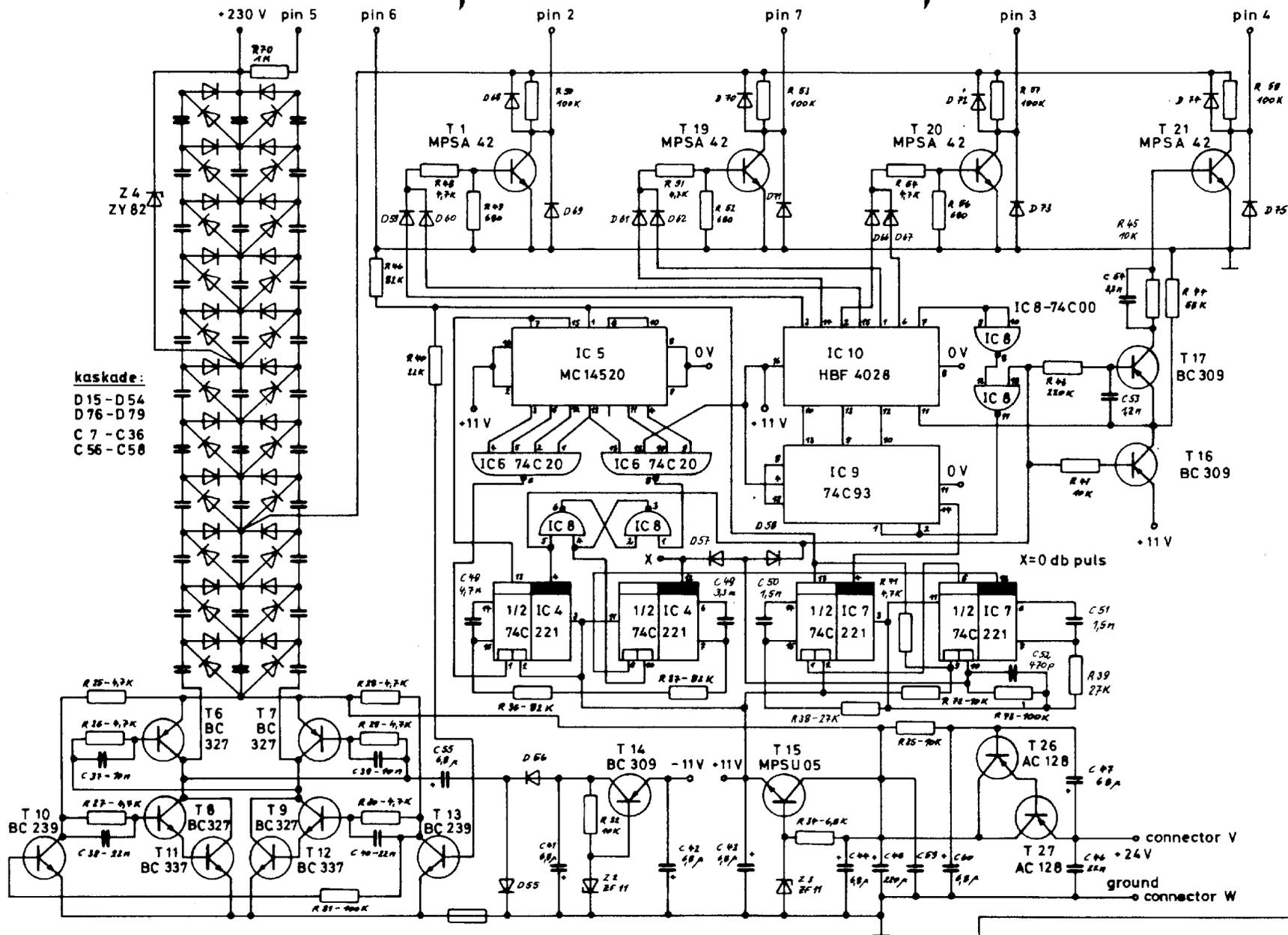
BLOCKDIAGRAM

RTW

PEAKMETER

1.214,1.215

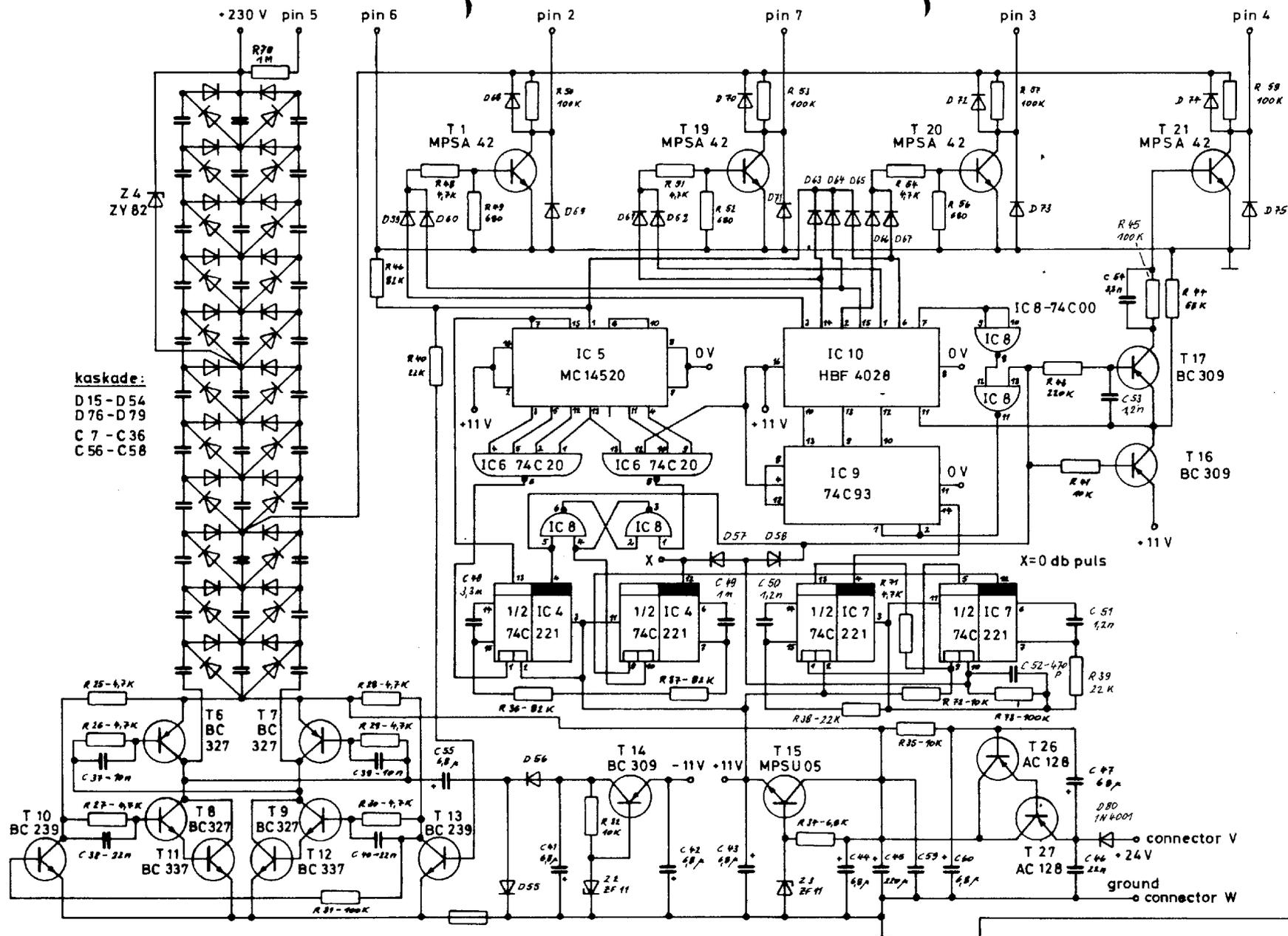
1.216,1.217



kaskade:
 D15-D54
 D76-D79
 C7-C36
 C56-C58

Note:
 D15-D67, D76-D79 = 1N4148
 D68-D75 = BAY 19
 C7-C36, C56-C58 = 6,8µ
 pin 1 - pin 8 = display connector

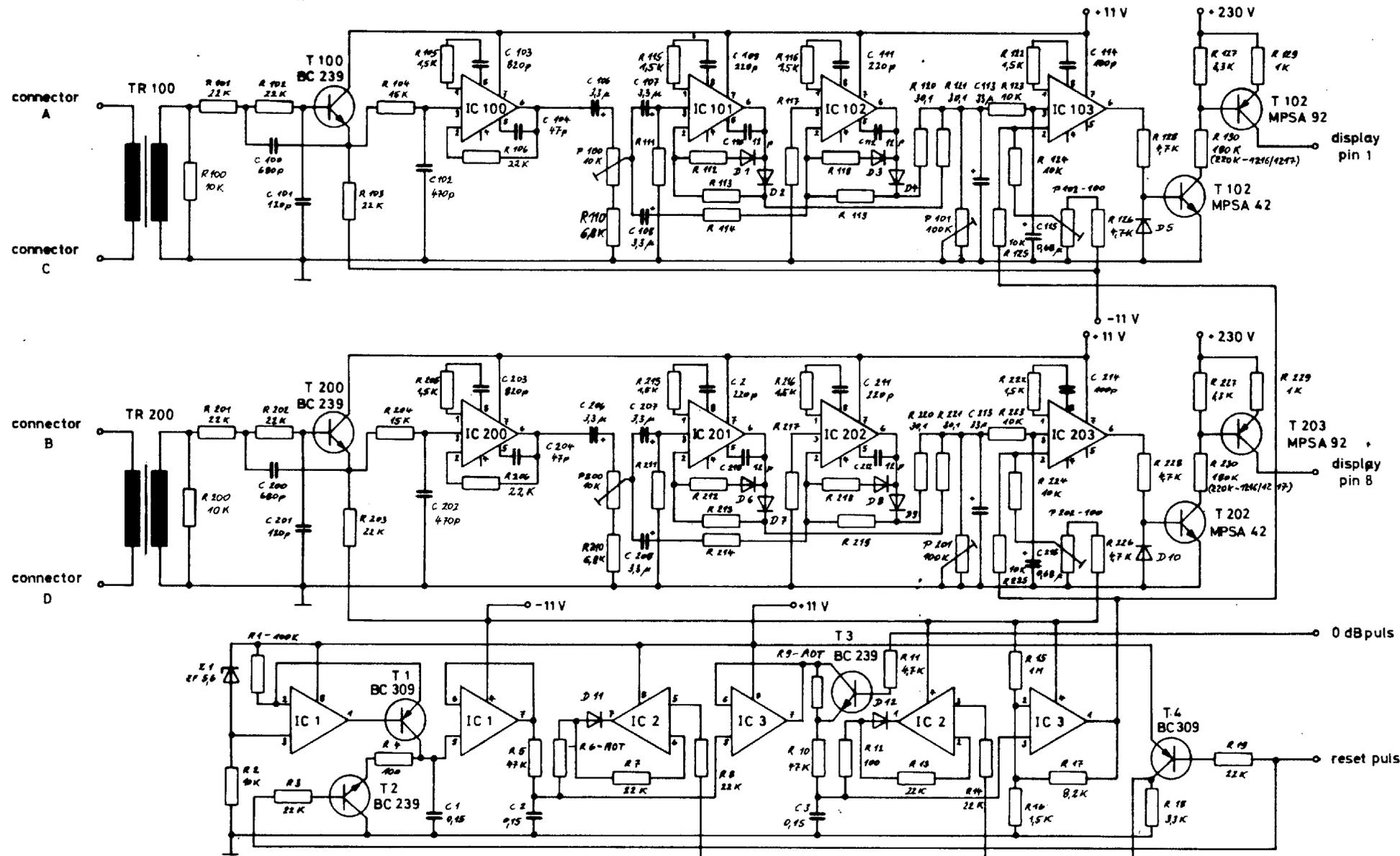
RTW PEAKMETER	
POWER SUPPLY, LOGIC	
1214, 1215	
SER. NR.: 500-	10.12.1978



kaskade:
 D15-D54
 D76-D79
 C7-C36
 C56-C58

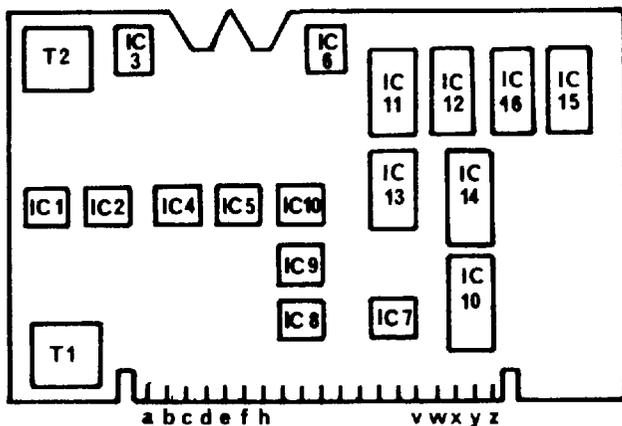
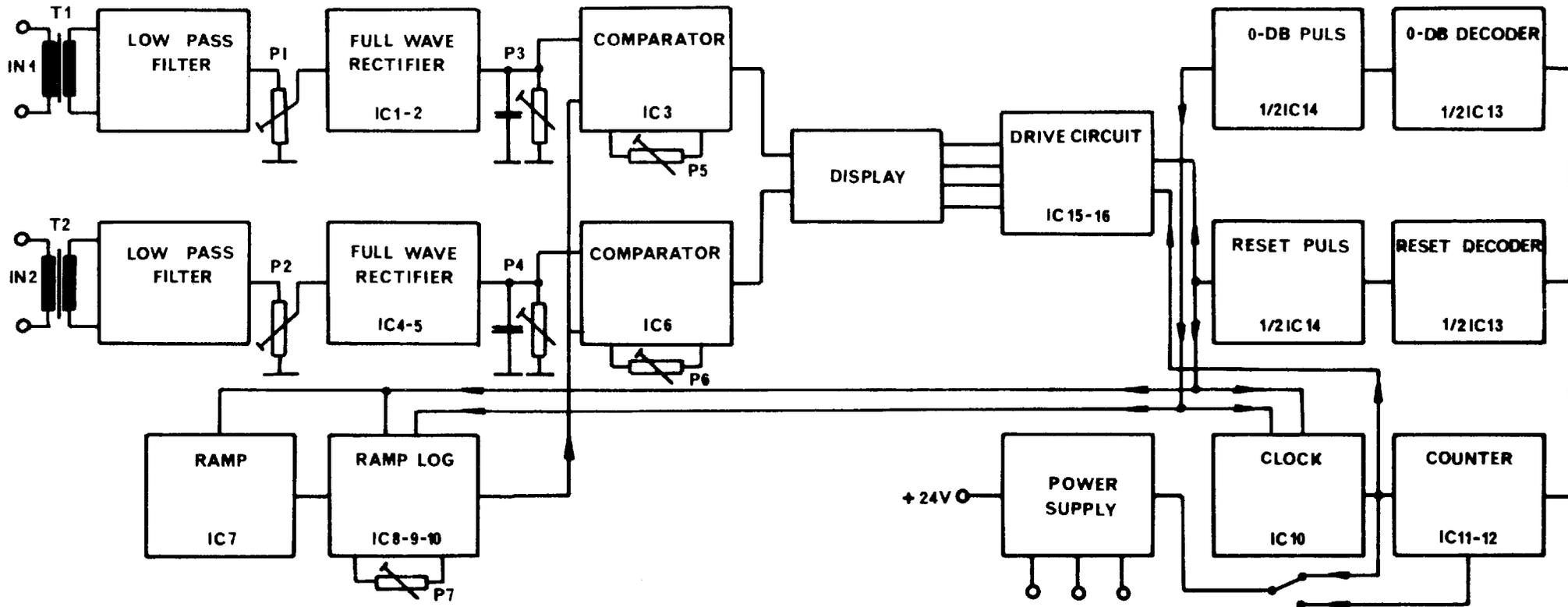
Note:
 D15-D67, D76-D79 = 1N4148
 D68-D75 = BAY 19
 C7-C36, C56-C58 = 6,8 μ
 pin1-pin8 = display connector

RTW PEAKMETER	
POWER SUPPLY, LOGIC	
1212, 1213, 1216, 1217	
SER. NR.:	1212, 1213: 001 - 1216, 1217: 500 -
10.12.1978	

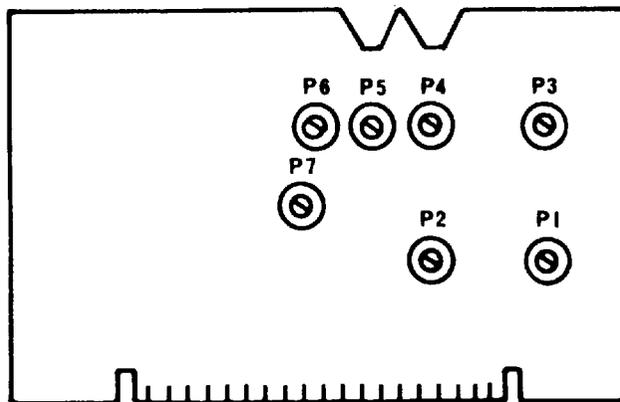


note:
 IC 100 - IC 103 = 709
 IC 200 - IC 203 = 709
 IC 1 - IC 3 = 1458
 D 1 - D 14 = 1N4148
 R 111 - R 119, R 211 - R 219 = 47 K 1%.

RTW PEAKMETER	
FILTER, RECTIFIER, COMPARATOR	
PULSFORMER 1214, 1215, 1216, 1217	
SER. NR. 500 -	20.12.1978



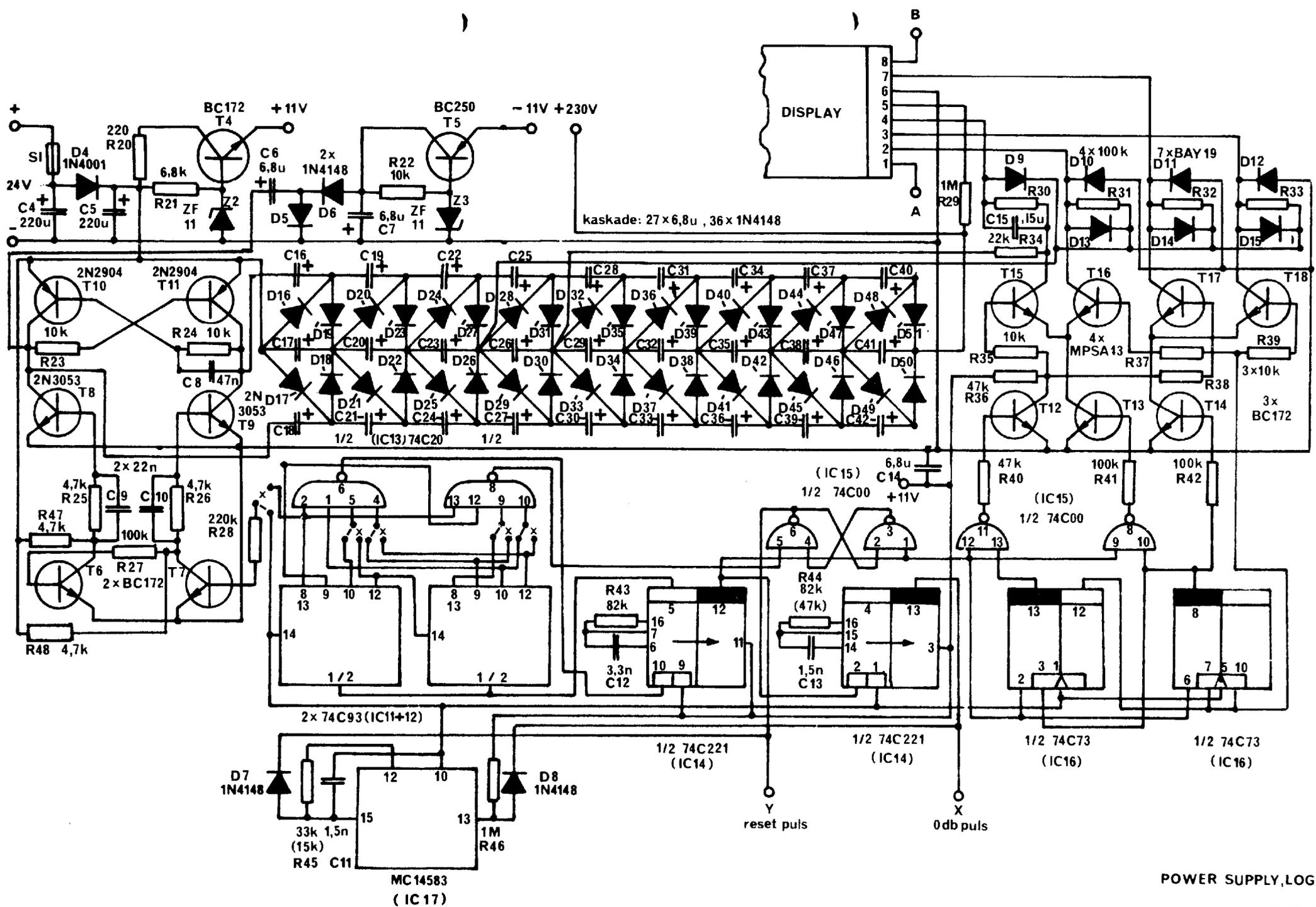
a-c : Input 1
 b-d : Input 2
 h : case
 v : + 24V
 w : - 24V



P1-P2 : 0DB at 1.55V/1KHz input level
 P3-P4 : Return time 1.5sec(0DB - -20DB)
 P5-P6 : Zero adjustment
 P7 : +5 DB at 2.75V/1 KHz input level

BLOCKDIAGRAM

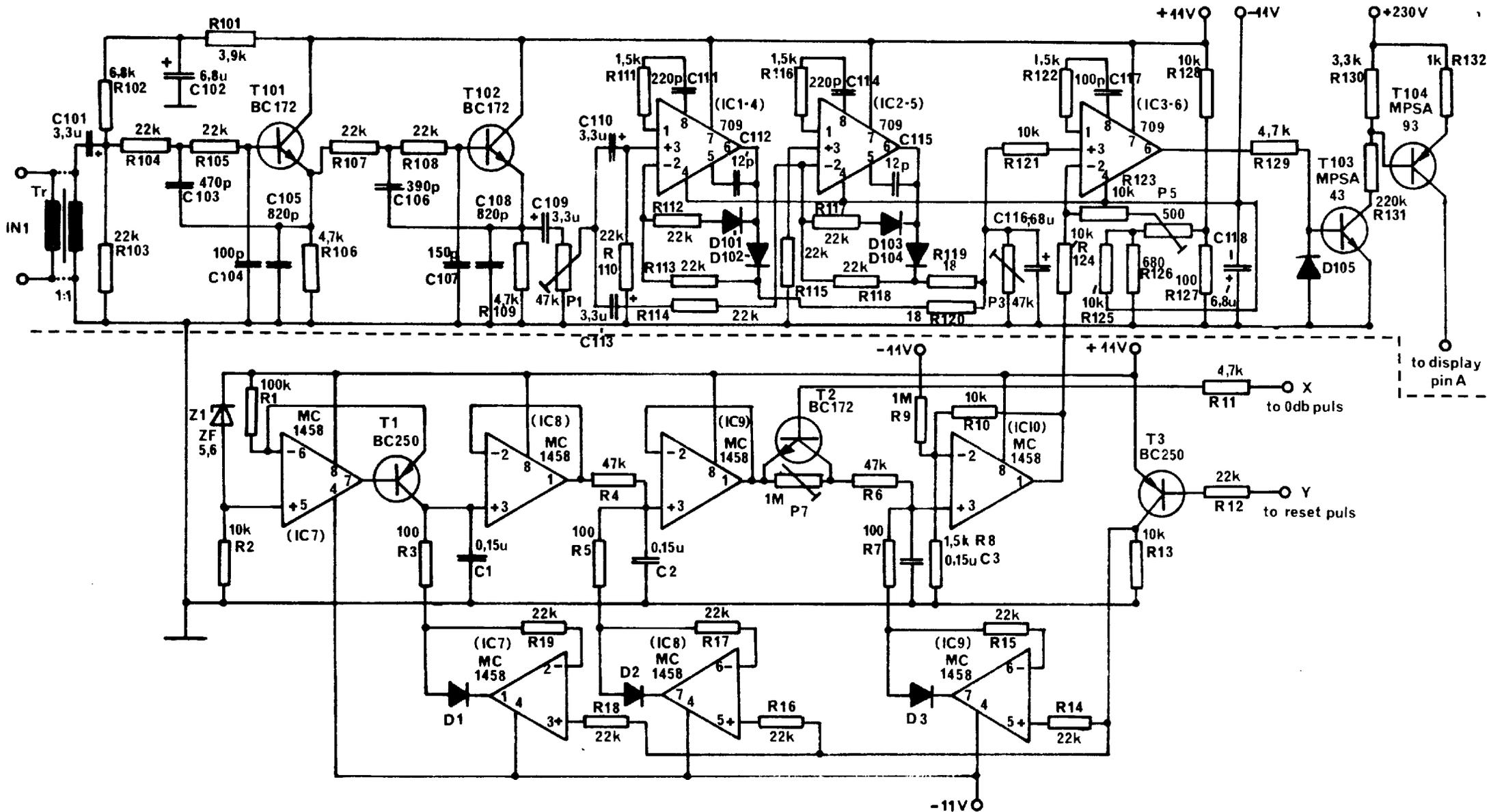
RTW
PEAKMETER



POWER SUPPLY, LOGIC

1.214, 1.215
1.216, 1.217

RTW
PEAKMETER

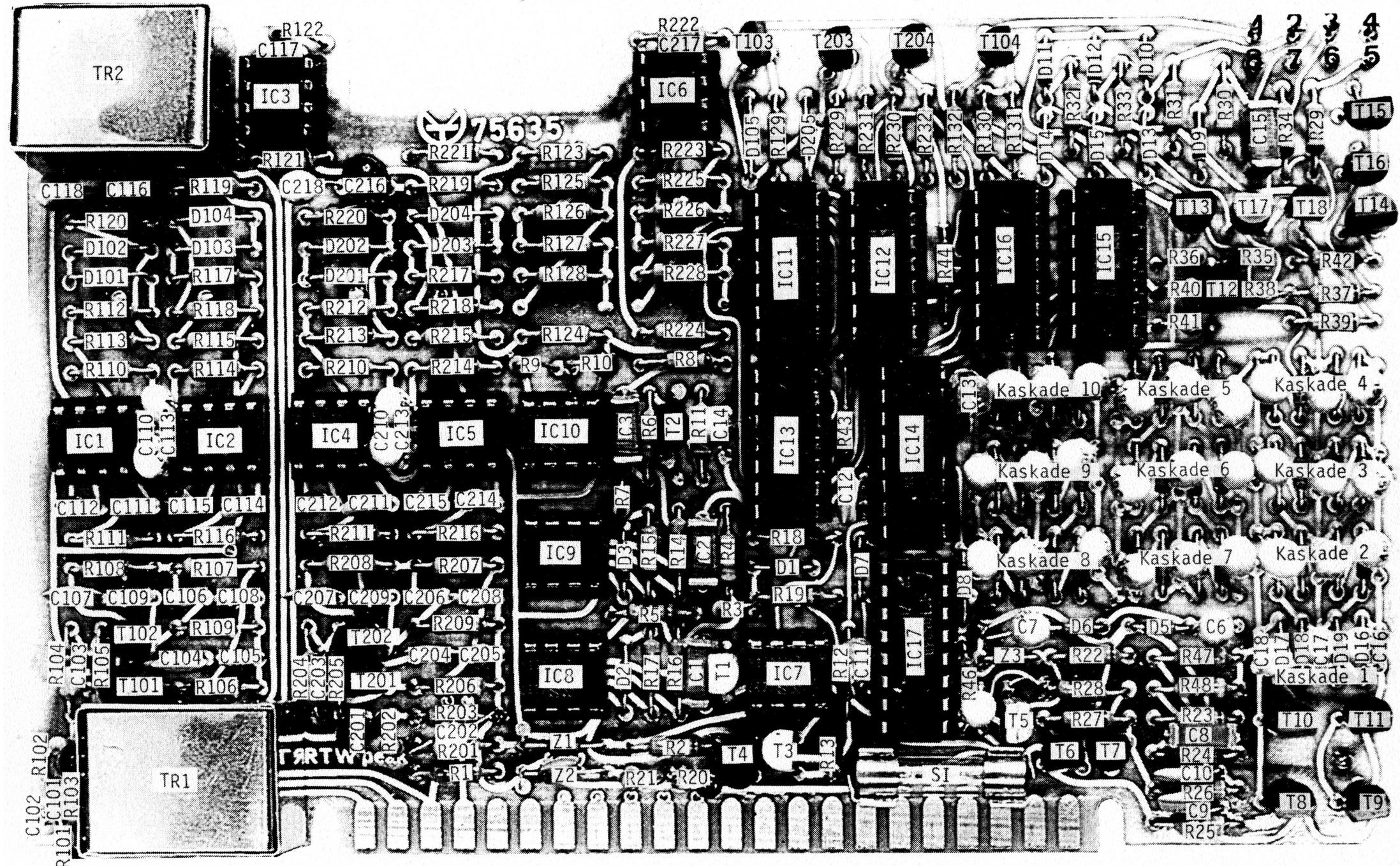


all diodes : 1N4448

FILTER, RECTIFIER, COMPARATOR
 (ONLY ONE CHANNEL)
 PULS FORMER

1.214, 1.215
 1.216, 1.217

RTW
 PEAKMETER

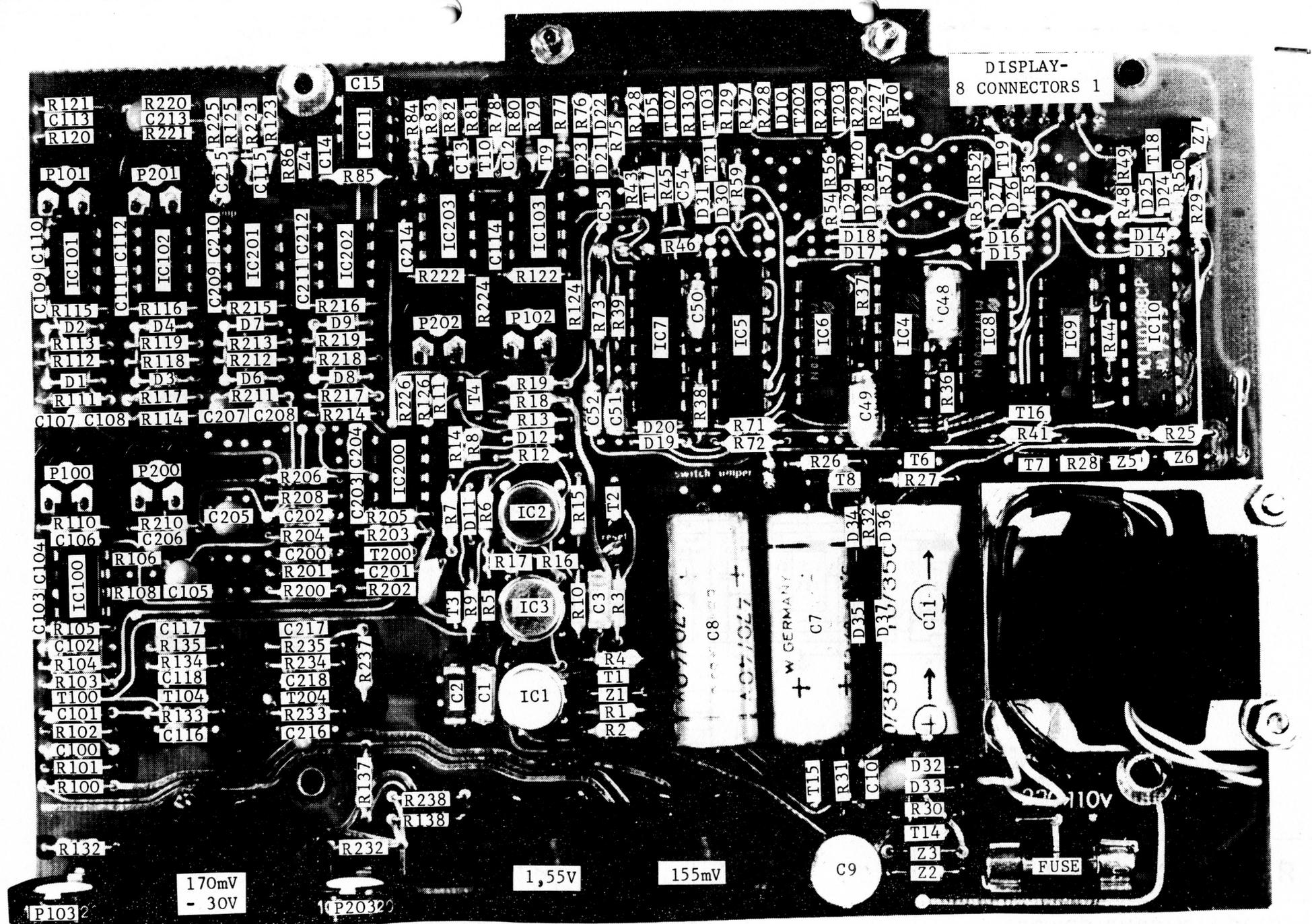


RTW

1.214, 1.215
1.216, 1.217

PEAKMETER

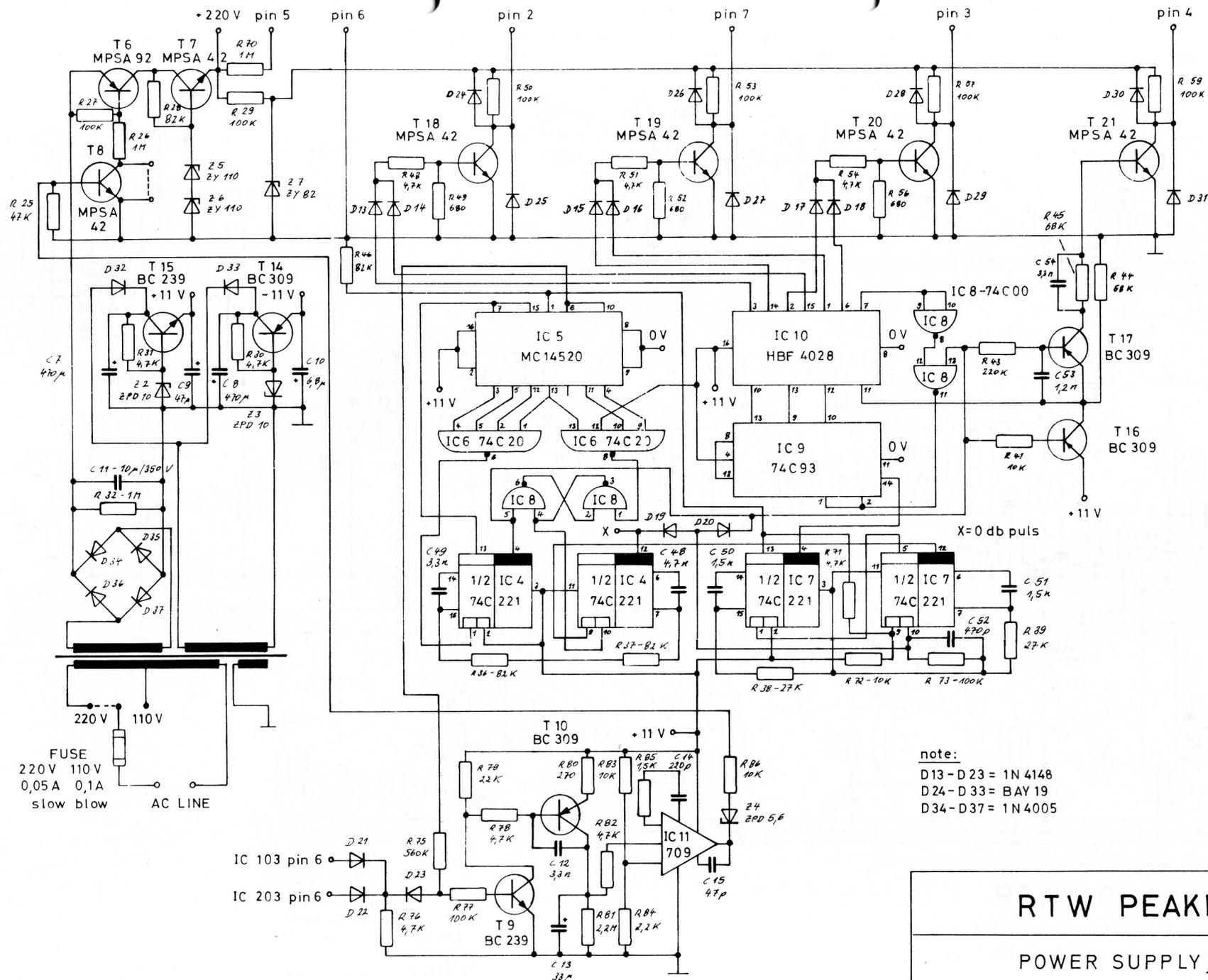
DISPLAY-
8 CONNECTORS 1



RTW PEAKMETER 1206

SER. NR.

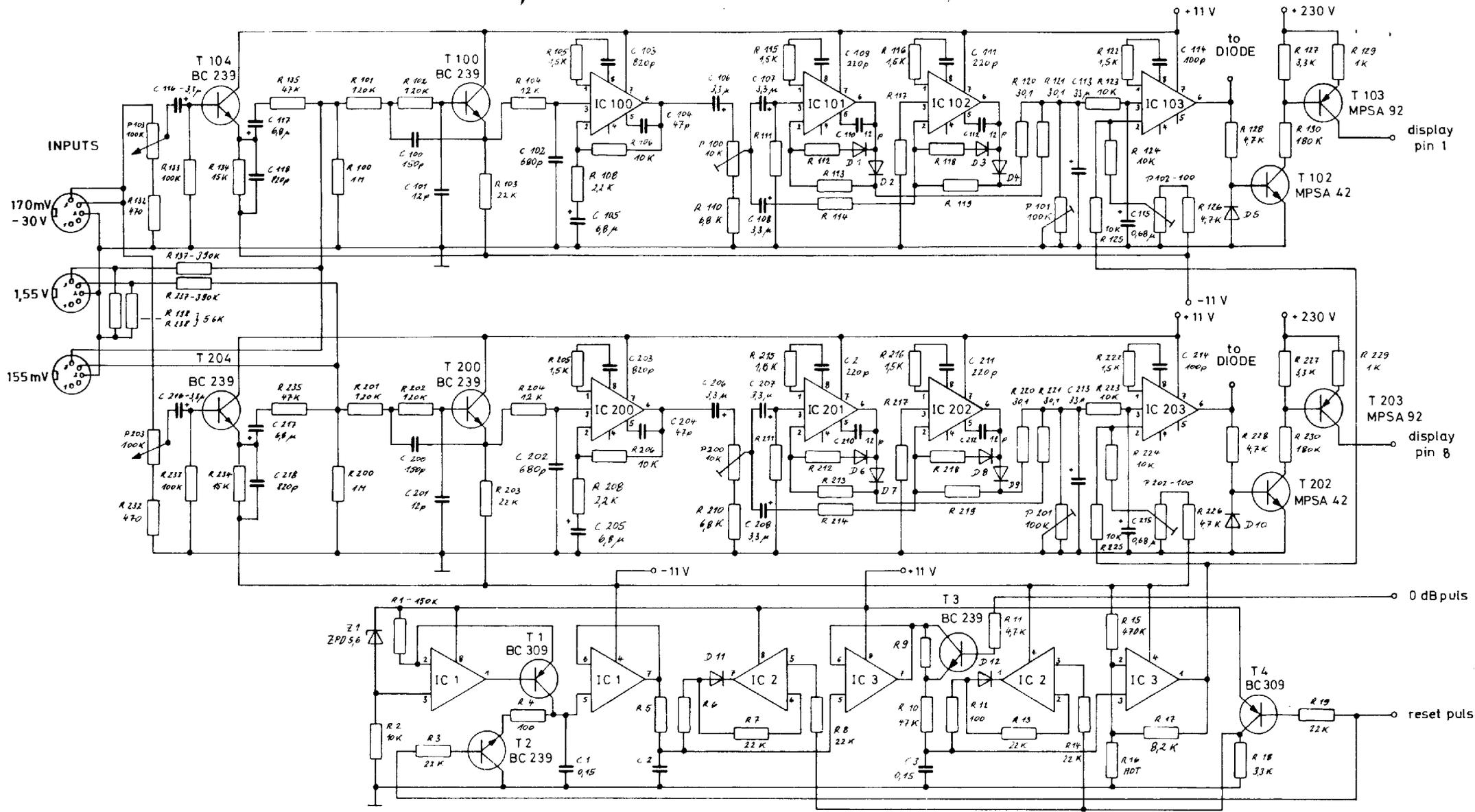
20.12.1978



FUSE
220V 110V
0,05A 0,1A
slow blow AC LINE

note:
D13 - D23 = 1N4148
D24 - D33 = BAY19
D34 - D37 = 1N4005

RTW PEAKMETER	
POWER SUPPLY, LOGIC	
1206	
SER. NR.:	05.02.1979



note:
 IC 100 - IC 103 = 709
 IC 200 - IC 203 = 709
 IC 1 - IC 3 = 1458, LM 358
 D 1 - D 12 = 1N4148
 R 111 - R 119, R 211 - R 219 = 47 K 1%
 R 5, R 6, R 9, C 2 = ADJUST ON TEST

RTW PEAKMETER	
FILTER, RECTIFIER, COMPARATOR PULSFORMER	1206
SER NR.	20.12.1978